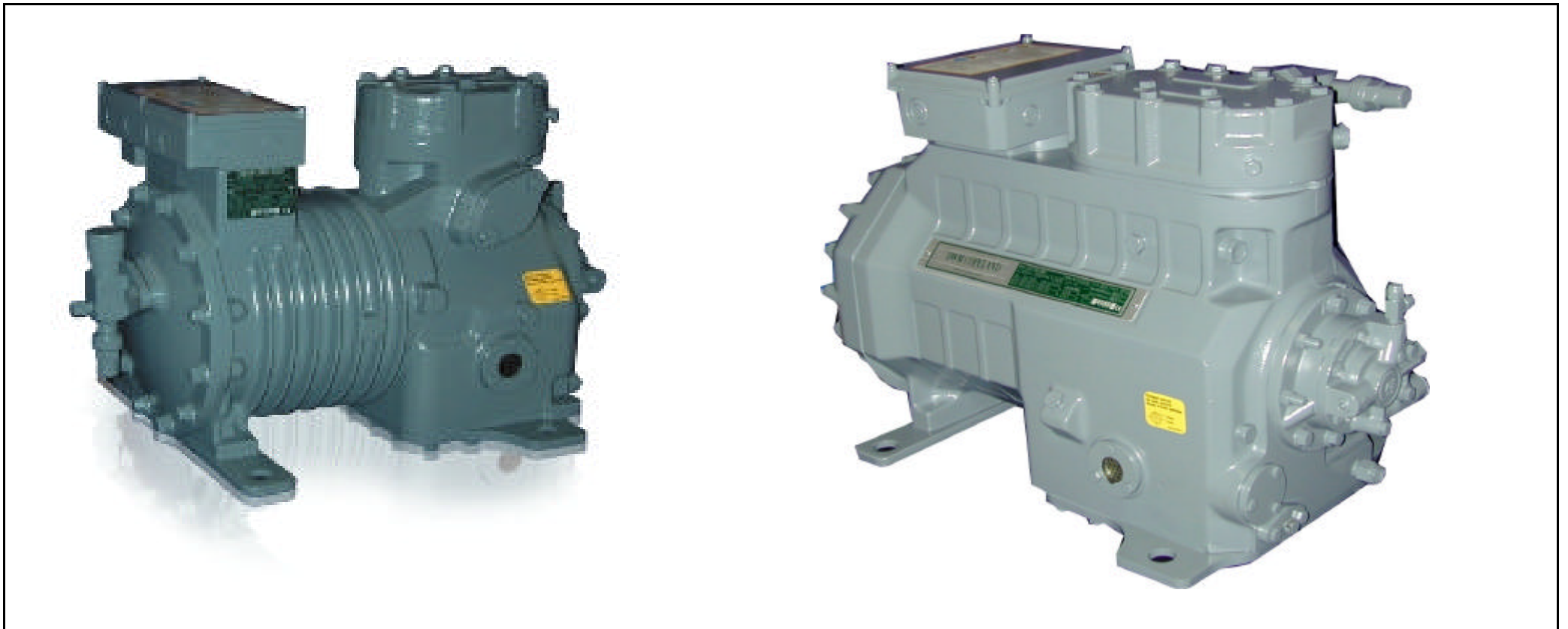


DWM COPELAND

Spare Parts List for
Motor Compressors

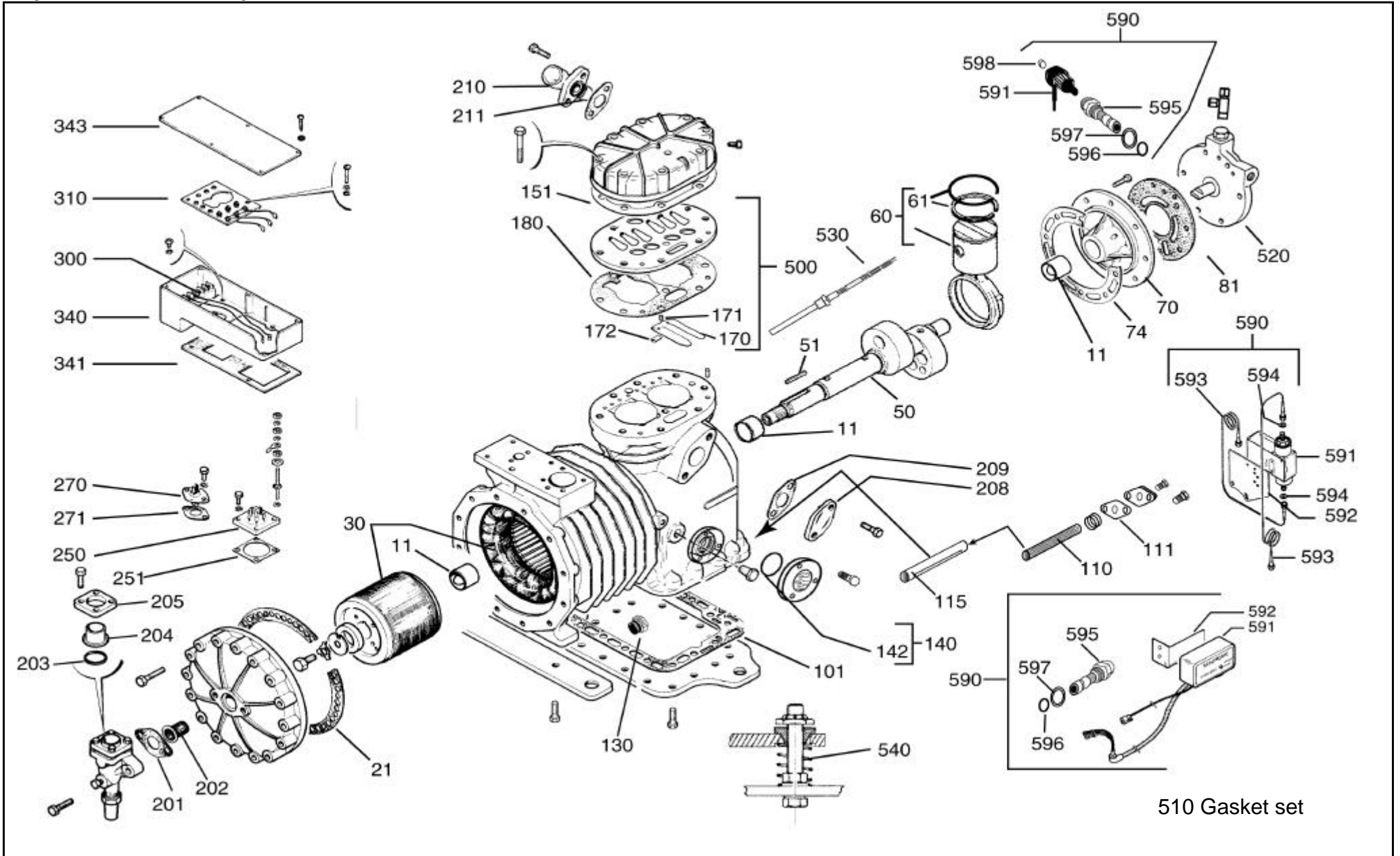
D2S*, D3S*



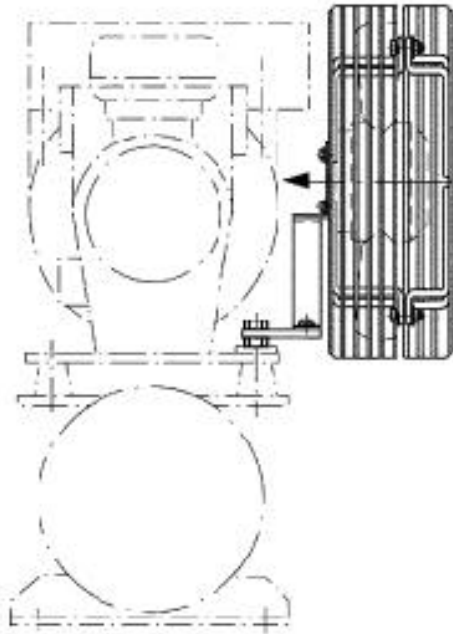
09/03

Exploded View of Compressor

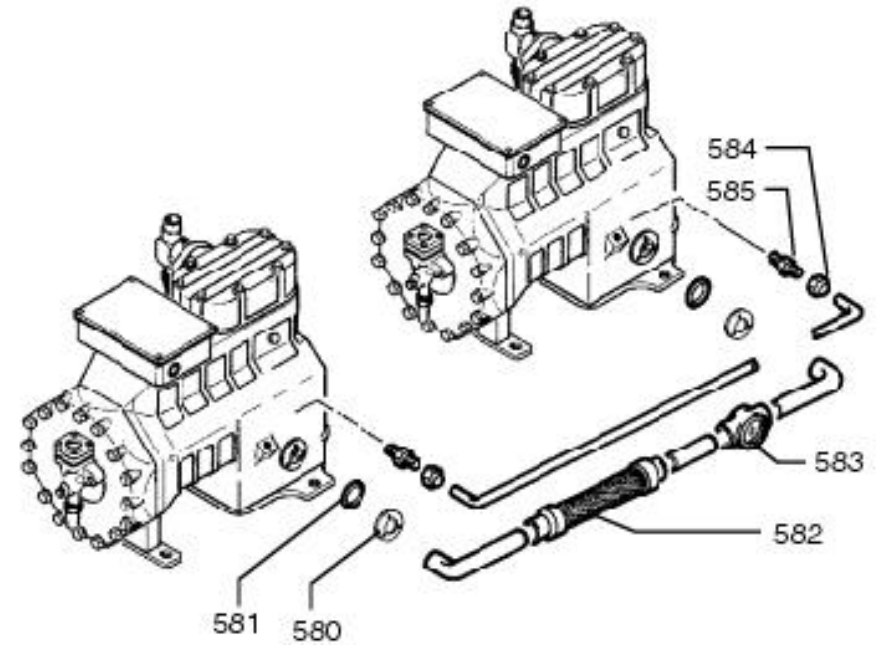
D2S*



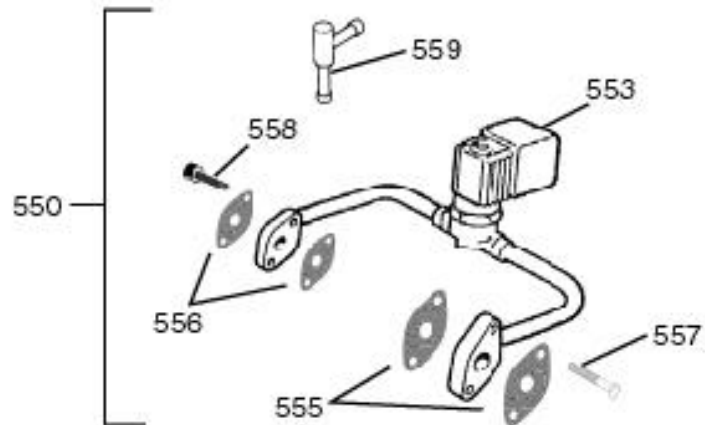
600 Mounting of the horizontal additional fan EBM



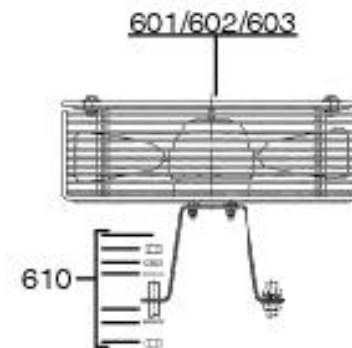
580 Oil balance for 2 compressors



550 Unloaded start



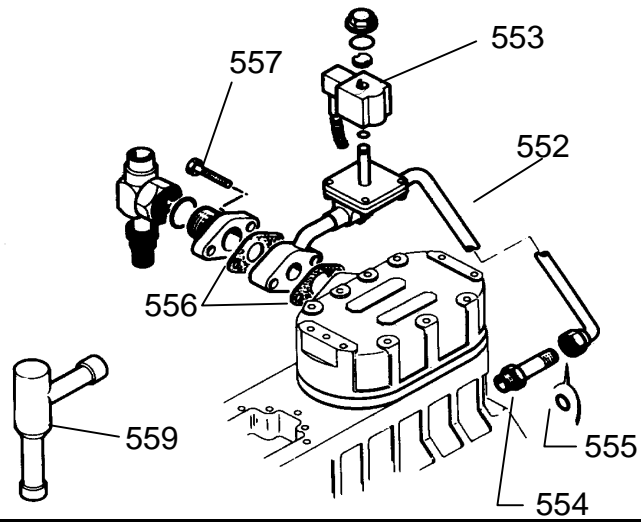
600 Additional fan



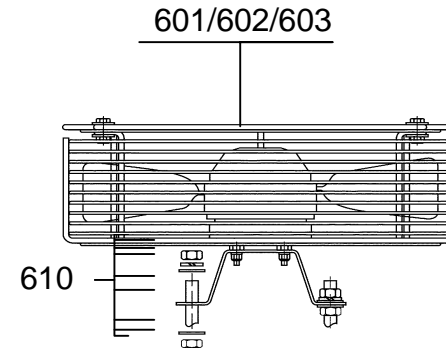
Exploded View of Accessories

D3S*

550 Unloaded Start



600 Additional fan EBM 75 Z



580 Oil balance for 2 compressors

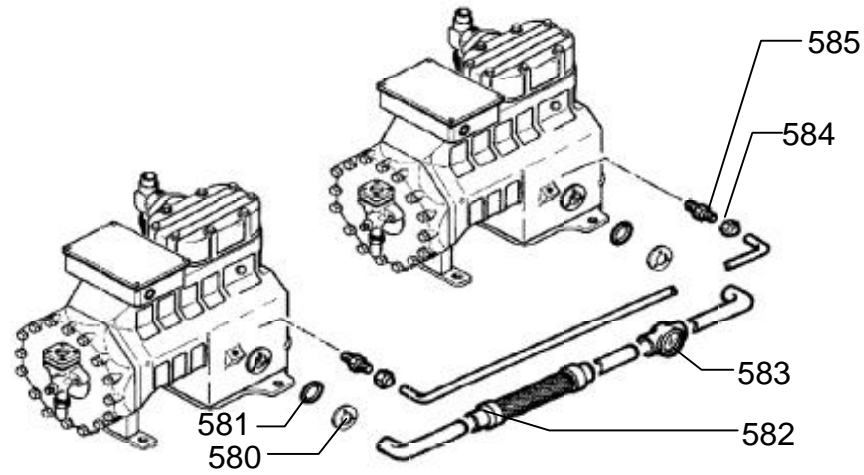


Diagram No.	Description	Part No.	D2SA*-45X	D2SA*-450	D2SA*-55X	D2SA*-550	D2SC*-55X	D2SC*-550	D2SC*-65X	D2SC*-650	D2SK*-65X	D2SK*-650	D3SA*-75X	D3SA*-750	D3SC*-75X	D3SC*-750	D3SC*-100X	D3SC*-1000	D3SS*-100X	D3SS*-1000	D3SS*-150X	D3SS*-1500	
11	Body main bearing plain, motor- and gear side	2488028	2	2																			
11	Body main bearing plain, motor- and gear side	3114606			2	2	2	2	2	2	2	2											
11	Body main bearing plain, motor side	2940860											1	1	1	1	1	1	1	1	1	1	
12	Body main bearing thrust, gear side	2940871											1	1	1	1	1	1	1	1	1	1	
21	Gasket for stator cover	2525138	1	1	1	1	1	1	1	1	1	1											
21	Gasket for stator cover	2951411											1	1	1	1	1	1	1	1	1	1	
30	Motor Unit 4HP EWL/N	3120467	1	1																			
30	Motor unit 4HP EWK	3120547	1	1																			
30	Motor unit 5HP EWL/N	3120478					1	1															
30	Motor unit 5HP EWK	3120558					1	1															
30	Motor unit 5,5HP EWL	E-MOTOR 5,5 HP EWL 2SA1 3127491			1	1																	
30	Motor unit 6,5HP EWL/N	3120489							1	1	1	1											
30	Motor unit 6,5HP EWK	3120569									1	1											
30	Motor unit 7,5HP AWM/D	6717899											1	1	1	1							
30	Motor unit 7,5HP AWM/D	4560417														1	1						
30	Motor unit 7,5HP EWL/N	4561192											1	1	1	1							
30	Motor unit 7,5HP EWL/N	4560702														1	1						
30	Motor unit 7,5HP EWK	4563041													1	1							
30	Motor unit 10HP AWM/D	3120490																	1	1			
30	Motor unit 10HP EWL/N	3120503																	1	1			
30	Motor unit 10HP EWK	3120570																	1	1			
30	Motor unit 15HP AWM/D	4560495																				1	1
30	Motor unit 15HP EWL/N	4560655																				1	1
30	Motor unit 15HP EWK	4560666																				1	1
50	Eccentric shaft	6707047	1	1																			
50	Crankshaft	3115416			1	1																	
50	Crankshaft	3114435					1	1	1	1	1	1											
50	Crankshaft	2938012											1	1	1	1	1	1					
50	Crankshaft	2938023																	1	1	1	1	
51	Crankshaft key	2297339	1	1																			
51	Crankshaft key	2914950			1	1	1	1	1	1	1	1											
51	Crankshaft key	2048946											1	1	1	1	1	1	1	1	1	1	1
60	Piston con-rod assy, 2 pcs per kit	3120274	1	1																			
60	Piston con-rod assy, 2 pcs per kit	3127504			1	1																	
60	Piston con-rod assy, 2 pcs per kit	3120285					1	1	1	1													
60	Piston con-rod assy, 2 pcs per kit	3120296									1	1											
60	Piston con-rod assy, 3 pcs per kit	3127515											1	1									
60	Piston con-rod assy, 3 pcs per kit	3120309													1	1	1	1					
60	Piston con-rod assy, 3 pcs per kit	3120310																	1	1	1	1	

Diagram No.	Description	Part No.	D2SA*-45X	D2SA*-450	D2SA*-55X	D2SA*-550	D2SC*-55X	D2SC*-550	D2SC*-65X	D2SC*-650	D2SK*-65X	D2SK*-650	D3SA*-75X	D3SA*-750	D3SC*-75X	D3SC*-750	D3SC*-100X	D3SC*-1000	D3SS*-100X	D3SS*-1000	D3SS*-150X	D3SS*-1500
61	Piston ring	2972165	4	4	4	4																
61	Piston ring	2972154					4	4	4	4												
61	Piston ring	3111787									4	4										
61	Piston ring	2972132											6	6								
61	Piston ring	2972154													6	6	6	6				
61	Piston ring	2972165																	6	6	6	6
70	Housing cover with bearing	3115950	1	1																		
70	Housing cover with bearing	3114731			1	1	1	1	1	1	1	1										
70	Housing cover with bearing	2947327											1	1	1	1	1	1	1	1	1	1
71	Bearing for housing cover	6709281	1	1																		
71	Bearing for housing cover	3114606			1	1	1	1	1	1	1	1										
71	Bearing for housing cover	2941603											1	1	1	1	1	1	1	1	1	1
74	Gasket for housing cover	2948693	1	1	1	1	1	1	1	1	1	1										
74	Gasket for housing cover	2959368											1	1	1	1	1	1	1	1	1	1
81	Gasket for oil pump	2993488	1	1	1	1	1	1	1	1	1	1	1	1	1	1	1	1	1	1	1	1
101	Gasket for bottom plate	2729383	1	1	1	1	1	1	1	1	1	1										
101	Gasket for bottom plate	2993499											1	1	1	1	1	1	1	1	1	1
110/111	Oil screen with gasket	3806741	1	1	1	1	1	1	1	1	1	1	1	1	1	1	1	1	1	1	1	1
111	Gasket for oil screen	2993455	1	1	1	1	1	1	1	1	1	1	1	1	1	1	1	1	1	1	1	1
115	Sleeve for oil screen	2525398	1	1	1	1	1	1	1	1	1	1	1	1	1	1	1	1	1	1	1	1
130	Oil check valve	2852661	1	1	1	1	1	1	1	1	1	1	1	1	1	1	1	1	1	1	1	1
140	Oil sight glass, complete	2482519	1	1	1	1	1	1	1	1	1	1	1	1	1	1	1	1	1	1	1	1
142	Gasket for oil sight glass	2042028	1	1	1	1	1	1	1	1	1	1										
142	Gasket for oil sight glass and blind flange (1 piece)	2042028											3	3	3	3	3	3	3	3	3	3
146	Blind flange with gasket instead of oil sight glass (1 piece)	3805895											2	2	2	2	2	2	2	2	2	2
151	Gasket for valve plate below cylinder head	2915168	1	1	1	1	1	1	1	1	1	1										
151	Gasket for valve plate below cylinder head	3114719											1	1	1	1	1	1	1	1	1	1
151/180	Gaskets for 1 valve plate (kit), below cylinder head and below valve plate	3120321	1	1	1	1																
151/180	Gaskets for 1 valve plate (kit), below cylinder head and below valve plate	3120332					1	1	1	1												
151/180	Gaskets for 1 valve plate (kit), below cylinder head and below valve plate	3120343									1	1										
151/180	Gaskets for 1 valve plate (kit), below cylinder head and below valve plate	3127526											1	1								
151/180	Gaskets for 1 valve plate (kit), below cylinder head and below valve plate	3120354													1	1	1	1				
151/180	Gaskets for 1 valve plate (kit), below cylinder head and below valve plate	3120365																	1	1	1	1
170/171	Parts for 1 valve plate (suction valve reed, pad, dowel pin)	3120376	1	1	1	1	1	1	1	1												
170/171	Parts for 1 valve plate (suction valve reed, pad, dowel pin)	3120387									1	1										
170/171	Parts for 1 valve plate (suction valve reed, dowel pin)	3120398											1	1	1	1	1	1	1	1	1	1
180	Gasket for valve plate below valve plate	3116168	1	1	1	1																
180	Gasket for valve plate below valve plate	3116077					1	1	1	1												
180	Gasket for valve plate below valve plate	3116055									1	1										
180	Gasket for valve plate below valve plate	3114924											1	1								

Diagram No.	Description	Part No.	D2SA*-45X	D2SA*-450	D2SA*-55X	D2SA*-550	D2SC*-55X	D2SC*-550	D2SC*-65X	D2SC*-650	D2SK*-65X	D2SK*-650	D3SA*-75X	D3SA*-750	D3SC*-75X	D3SC*-750	D3SC*-100X	D3SC*-1000	D3SS*-100X	D3SS*-1000	D3SS*-150X	D3SS*-1500
180	Gasket for valve plate below valve plate	3114979													1	1	1	1				
180	Gasket for valve plate below valve plate	3114877																	1	1	1	1
191	Sleeve for crankcase heater	2948091											1	1	1	1	1	1	1	1	1	1
200/201	Suction shut-off valve with gasket, sweat 1 1/8"	2837040	1	1	1	1	1	1	1	1	1	1										
200/201	Suction shut-off valve with gasket, sweat 1 3/8"	2837062											1	1	1	1	1	1	1	1		
200/201	Suction shut-off valve with gasket, sweat 1 5/8"/42 mm	2837084																			1	1
200/201	Suction shut-off valve with gasket, sweat 2 1/8" Tandem-compressors	2837119											1	1	1	1	1	1	1	1	1	1
201	Gasket for suction shut-off valve	2963043	1	1	1	1	1	1	1	1	1	1	1	1	1	1	1	1	1	1		
201	Gasket for suction shut-off valve	2880851																			1	1
201	Gasket for suction shut-off valve, Tandem-compressors	2880862											1	1	1	1	1	1	1	1	1	1
201/202	Suction screen with gasket	3806718	1	1	1	1	1	1	1	1	1	1										
201/202	Suction screen with gasket	3806752											1	1	1	1	1	1	1	1		
201/202	Suction screen with gasket	3806763																			1	1
203	Gasket for pipe socket	2880884											1	1	1	1	1	1	1	1		
203	Gasket for pipe socket Nobis	2881467																			1	1
	Gasket for pipe socket, Tandem-compressors	3091932											1	1	1	1	1	1	1	1	1	1
204	Pipe socket 1 3/8"	2048060											1	1	1	1	1	1	1	1		
204	Pipe socket 1 5/8"/42 mm Henry	2938829																			1	1
204	Pipe socket 1 5/8"/42 mm Nobis	2938830																			1	1
	Pipe socket 2 1/8" Henry Tandem-compressors	2832830											1	1	1	1	1	1	1	1	1	1
	Pipe socket 2 1/8" Nobis Tandem-compressors	2832841											1	1	1	1	1	1	1	1	1	1
205	Flange 1 3/8"	2045152											1	1	1	1	1	1	1	1		
205	Flange 1 5/8"/42 mm Henry/Nobis	2050078																			1	1
	Flange 2 1/8" Henry Tandem-compressors	2050578											1	1	1	1	1	1	1	1	1	1
	Flange 2 1/8" Nobis Tandem-compressors	2946846											1	1	1	1	1	1	1	1	1	1
208	Blind flange, suction side	2829103	1	1	1	1	1	1	1	1	1	1										
209	Gasket for blind flange	2829114	1	1	1	1	1	1	1	1	1	1										
210/211	Discharge shut-off valve with gasket, sweat 7/8"	2837073	1	1	1	1	1	1	1	1	1	1										
210/211	Discharge shut-off valve with gasket, sweat 1 1/8"	2837131											1	1	1	1	1	1	1	1	1	1
211	Gasket for discharge shut-off valve	2529947	1	1	1	1	1	1	1	1	1	1										
211	Gasket for discharge shut-off valve	2050772											1	1	1	1	1	1	1	1	1	1
	Shipping plate with gasket and screws (kit), suction side	2846082	1	1	1	1	1	1	1	1	1	1	1	1	1	1	1	1	1	1		
212	Shipping plate with gasket and screws (kit), suction side	2846093																			1	1
212	Shipping plate with gasket and screws (kit), discharge side	2846071	1	1	1	1	1	1	1	1	1	1										
	Shipping plate with gasket and screws (kit), discharge side	2846082											1	1	1	1	1	1	1	1	1	1
220	Mounting adapter for Rotalock valve	2050749											1	1	1	1	1	1	1	1	1	1
221	Gasket for mounting adapter Rotalock valve (1 piece)	2880908											2	2	2	2	2	2	2	2	2	2
222	Muffler plate, 6 holes	2474138											1	1	1	1	1	1	1	1	1	1
230	Terminal plate assy	2834596											1	1	1	1	1	1	1	1	1	1

Diagram No.	Description	Part No.	D2SA*-45X	D2SA*-450	D2SA*-55X	D2SA*-550	D2SC*-55X	D2SC*-550	D2SC*-65X	D2SC*-650	D2SK*-65X	D2SK*-650	D3SA*-75X	D3SA*-750	D3SC*-75X	D3SC*-750	D3SC*-100X	D3SC*-1000	D3SS*-100X	D3SS*-1000	D3SS*-150X	D3SS*-1500
231	Gasket for terminal plate	2952823											1	1	1	1	1	1	1	1	1	1
250	Fusite, terminal assy 6-pole	2727274	1	1	1	1	1	1	1	1	1	1										
251	Gasket for Fusite, terminal assy	2727887	1	1	1	1	1	1	1	1	1	1										
270	Fusite, terminal assy 2-po	2489656	1	1	1	1	1	1	1	1	1	1										
271	Gasket for Fusite, terminal assy	2946084	1	1	1	1	1	1	1	1	1	1										
300	Module for VW-protection Kriwan INT 69 internal 24 V, DC	2832465	1	1	1	1	1	1	1	1	1	1	1	1	1	1	1	1	1	1	1	1
300	Module for VW-protection Kriwan INT 69 internal 24 V	2830367	1	1	1	1	1	1	1	1	1	1	1	1	1	1	1	1	1	1	1	1
300	Module for VW-protection Kriwan INT 69 internal 110 V	2830130	1	1	1	1	1	1	1	1	1	1	1	1	1	1	1	1	1	1	1	1
300	Module for VW-protection Kriwan INT 69 internal 220 V	2914552	1	1	1	1	1	1	1	1	1	1	1	1	1	1	1	1	1	1	1	1
300	Module for VW-protection Kriwan INT 69 internal 200-260 V	2940962	1	1	1	1	1	1	1	1	1	1	1	1	1	1	1	1	1	1	1	1
310	Terminal board assy	2950327	1	1	1	1	1	1	1	1	1	1										
310	Terminal board assy	2939866											1	1	1	1	1	1	1	1	1	1
340	Terminal box	6706975	1	1	1	1	1	1	1	1	1	1										
340	Terminal box	2938250											1	1	1	1	1	1	1	1	1	1
341	Gasket for terminal box	6707718	1	1	1	1	1	1	1	1	1	1										
341	Gasket for terminal box	2938385											1	1	1	1	1	1	1	1	1	1
341	Gasket for terminal box	6706986	1	1	1	1	1	1	1	1	1	1										
343	Cover for terminal box, motor AW_	2945503											1	1	1	1	1	1	1	1	1	1
343	Cover for terminal box, motor EW_	2945490																	1	1		
500	Valve plate assy	3120401	1	1	1	1	1	1	1	1												
500	Valve plate assy	3120412									1	1										
500	Valve plate assy	3120423													1	1						
500	Valve plate assy	3120434											1	1					1	1		
500	Valve plate assy	3127537															1	1			1	1
510	Gasket kit	3120445	1	1	1	1	1	1	1	1	1	1										
510	Gasket kit	3120456											1	1	1	1	1	1	1	1	1	1
520	Oil pump assy	3120605	1	1																		
520	Oil pump assy	2832761			1	1	1	1	1	1	1	1	1	1	1	1	1	1	1	1	1	1
530	Crankcase heater, internal 70 W, 24 V	2991233	1	1	1	1	1	1	1	1	1	1										
530	Crankcase heater, internal 70 W, 115 V	2834370	1	1	1	1	1	1	1	1	1	1										
530	Crankcase heater, internal 70 W, 230 V	2834369	1	1	1	1	1	1	1	1	1	1										
530	Crankcase heater, internal 70 W, 115 V	6717946											1	1	1	1	1	1	1	1	1	1
530	Crankcase heater, internal 70 W, 230 V	2834198											1	1	1	1	1	1	1	1	1	1
530	Crankcase heater, internal 70W, 480 V	3806310											1	1	1	1	1	1	1	1	1	1
531	Silicon paste for mounting the crankcase heater into the heater sleeve	2942537	1	1	1	1	1	1	1	1	1	1	1	1	1	1	1	1	1	1	1	1
540	Mounting parts (kit)	2188475	1	1	1	1	1	1	1	1	1	1										
540	Mounting parts (kit)	2188748											1	1	1	1						
540	Mounting parts (kit)	2188884															1	1	1	1		
540	Mounting parts (kit)	2049643																			1	1
540	Rubber mounting parts (kit)	2933266	1	1	1	1	1	1	1	1	1	1	1	1	1	1	1	1	1	1	1	1

Diagram No.	Description	Part No.	D2SA*-45X	D2SA*-450	D2SA*-55X	D2SA*-550	D2SC*-55X	D2SC*-550	D2SC*-65X	D2SC*-650	D2SK*-65X	D2SK*-650	D3SA*-75X	D3SA*-750	D3SC*-75X	D3SC*-750	D3SC*-100X	D3SC*-1000	D3SS*-100X	D3SS*-1000	D3SS*-150X	D3SS*-1500
550	Unloaded start w/o check valve with solenoid coil 24 V, DC Danfoss	2990274	1	1	1	1	1	1	1	1	1	1										
550	Unloaded start w/o check valve with solenoid coil 24 V, 50 Hz Danfoss	2990172	1	1	1	1	1	1	1	1	1	1										
550	Unloaded start w/o check valve with solenoid coil 120 V, 50/60 Hz Danfoss	2990070	1	1	1	1	1	1	1	1	1	1										
550	Unloaded start w/o check valve with solenoid coil 230 V, 50/60 Hz Danfoss	2989974	1	1	1	1	1	1	1	1	1	1										
550	Unloaded start w/o check valve with solenoid coil 24 V, DC Danfoss	2990309											1	1	1	1	1	1	1	1	1	1
550	Unloaded start w/o check valve with solenoid coil 24 V, 50 Hz Danfoss	2990207											1	1	1	1	1	1	1	1	1	1
550	Unloaded start w/o check valve with solenoid coil 120 V, 50/60 Hz Danfoss	2990105											1	1	1	1	1	1	1	1	1	1
550	Unloaded start w/o check valve with solenoid coil 230 V, 50/60 Hz Danfoss	2833991											1	1	1	1	1	1	1	1	1	1
552	Unloaded start (piping assy), w/o solenoid coil, w/o gaskets, Danfoss	2961138	1	1	1	1	1	1	1	1	1	1										
552	Unloaded start (piping assy), w/o solenoid coil, w/o gaskets Danfoss	2944168											1	1	1	1	1	1	1	1	1	1
553	Solenoid coil for unloaded start 24 V, DC Danfoss	2943949	1	1	1	1	1	1	1	1	1	1										
553	Solenoid coil for unloaded start 24 V, DC Danfoss	2940268											1	1	1	1	1	1	1	1	1	1
553	Solenoid coil for unloaded start 24 V, 50 Hz Danfoss	2940257	1	1	1	1	1	1	1	1	1	1	1	1	1	1	1	1	1	1	1	1
553	Solenoid coil for unloaded start 120 V, 50/60 Hz Danfoss	2940246	1	1	1	1	1	1	1	1	1	1	1	1	1	1	1	1	1	1	1	1
553	Solenoid coil for unloaded start 230 V, 50/60 Hz Danfoss	2940235	1	1	1	1	1	1	1	1	1	1	1	1	1	1	1	1	1	1	1	1
554	Adapter, Rotalock	2944204											1	1	1	1	1	1	1	1	1	1
555	Gasket for flange, suction side (1 piece)	2963043	2	2	2	2	2	2	2	2	2	2										
555	Gasket for adapter Rotalock, suction side	2495928											1	1	1	1	1	1	1	1	1	1
556	Gasket for flange, discharge side (1 piece)	2529947	2	2	2	2	2	2	2	2	2	2										
556	Gasket for flange, discharge side (1 piece)	2963043											2	2	2	2	2	2	2	2	2	2
557	Hex screw, suction side 1/2"-13 UNC x 2 1/4" (1 piece)	3058075	2	2	2	2	2	2	2	2	2	2										
558	Socket screw, discharge side 5/16"-18 UNC x 2" (1 piece)	2486500	2	2	2	2	2	2	2	2	2	2										
558	Screw 1/2"-13 UNC x 2 3/4" 8.8 (1 piece)	2040588											2	2	2	2	2	2	2	2	2	2
559	Check valve 22 mm NRV 22 S	2946891	1	1	1	1	1	1	1	1	1	1										
559	Check valve with a stronger spring for Tandem-compressors and parallel systems 22 mm NRVH 22 S	2952243	1	1	1	1	1	1	1	1	1	1										
559	Check valve 28 mm NRV 22 S	2995906											1	1	1	1	1	1	1	1	1	1
559	Check valve with a stronger spring for Tandem-compressors and parallel systems 28 mm NRVH 22 S	2995600											1	1	1	1	1	1	1	1	1	1
580	Flange sweat (1 piece)	2496330	2	2	2	2	2	2	2	2	2	2	2	2	2	2	2	2	2	2	2	2
581	Gasket for flange sweat (1 piece)	2042028	2	2	2	2	2	2	2	2	2	2	2	2	2	2	2	2	2	2	2	2
582	Vibration absorber	2040099	1	1	1	1	1	1	1	1	1	1	1	1	1	1	1	1	1	1	1	1
583	Oil sight glass SLG-28	2495882	1	1	1	1	1	1	1	1	1	1	1	1	1	1	1	1	1	1	1	1
584	Insert socket 1/4"- 18 NPTF (1 piece)	2063909	2	2	2	2	2	2	2	2	2	2	2	2	2	2	2	2	2	2	2	2
585	Nut flare (1 piece)	2038456	2	2	2	2	2	2	2	2	2	2	2	2	2	2	2	2	2	2	2	2
586	Oil and gas equalization line for 1 compressor (flange sweat, gasket, insert socket, cap nut)	3106952	1	1	1	1	1	1	1	1	1	1	1	1	1	1	1	1	1	1	1	1
587	Oil regulation system, complete, ALCO OMA TraxOil	OMA-CUA	8526719	1	1	1	1	1	1	1	1	1	1	1	1	1	1	1	1	1	1	1
587	Transformer for oil regulating system ALCO OMA TraxOil	ETC-523	8527518	1	1	1	1	1	1	1	1	1	1	1	1	1	1	1	1	1	1	1
588	Oil balance tube for Tandem-compressors	2948433											1	1	1	1	1	1	1	1	1	1

Diagram No.	Description		Part No.	D2SA*-45X	D2SA*-450	D2SA*-55X	D2SA*-550	D2SC*-55X	D2SC*-550	D2SC*-65X	D2SC*-650	D2SK*-65X	D2SK*-650	D3SA*-75X	D3SA*-750	D3SC*-75X	D3SC*-750	D3SC*-100X	D3SC*-1000	D3SS*-100X	D3SS*-1000	D3SS*-150X	D3SS*-1500
590	Oil pressure safety switch complete (sensor, electronic switch and PG-screw connections) 115 V, 50/60 Hz OPS1	115 V, 50/60 Hz	3115825	1	1	1	1	1	1	1	1	1	1	1	1	1	1	1	1	1	1	1	1
590	Oil pressure safety switch complete (sensor, electronic switch and PG-screw connections) 230 V, 50/60 Hz OPS1	230 V, 50/60 Hz	3112257	1	1	1	1	1	1	1	1	1	1	1	1	1	1	1	1	1	1	1	1
590	Oil pressure safety switch with bracket, straight and two capillary tubes ALCO CONTROLS		2834007											1	1	1	1	1	1	1	1	1	1
590	Oil pressure safety switch with bracket,angle and two capillary tubes (also for models with unloded start) ALCO CONTROLS		2834041	1	1	1	1	1	1	1	1	1	1	1	1	1	1	1	1	1	1	1	1
590	Oil pressure safety switch with bracket and sensor SENTRONIC+ NEW		2952221	1	1	1	1	1	1	1	1	1	1	1	1	1	1	1	1	1	1	1	1
591	Electronic switch 115 V, 50/60 Hz OPS1 (CAUTION! For initial installation order 3115814, including PG-screw connections)		3115814	1	1	1	1	1	1	1	1	1	1	1	1	1	1	1	1	1	1	1	1
591	Electronic switch 230 V, 50/60 Hz OPS1 (CAUTION! For initial installation order 3112462, including PG-screw connections)	230 V, 50/60 Hz	3110795	1	1	1	1	1	1	1	1	1	1	1	1	1	1	1	1	1	1	1	1
591	Oil pressure safety switch, w/o bracket, w/o capillary tubes ALCO CONTROLS		2966622	1	1	1	1	1	1	1	1	1	1	1	1	1	1	1	1	1	1	1	1
591	Oil pressure safety switch w/o bracket, w/o sensor SENTRONIC+ NEW (Caution! Obsolete and new SENTRONIC parts, e.g. obsolete module with new sensor, must not be used commonly)		3127822	1	1	1	1	1	1	1	1	1	1	1	1	1	1	1	1	1	1	1	1
591/593	Oil pressure safety switch with 2 capillary tubes, w/o bracket ALCO CONTROLS		2942300	1	1	1	1	1	1	1	1	1	1	1	1	1	1	1	1	1	1	1	1
592	Bracket, straight for oil pressuresafety switch ALCO CONTROLS		2326626											1	1	1	1	1	1	1	1	1	1
592	Bracket, angle for oil pressure safety switch (also for models with unloaded start) ALCO CONTROLS		2940008	1	1	1	1	1	1	1	1	1	1	1	1	1	1	1	1	1	1	1	1
592	Bracket for oil pressure safety switch SENTRONIC		2951864	1	1	1	1	1	1	1	1	1	1	1	1	1	1	1	1	1	1	1	1
593	Capillary tube for oil pressure safety switch with gaskets, Cu-ring ALCO CONTROLS (1 piece)		3808214	2	2	2	2	2	2	2	2	2	2	2	2	2	2	2	2	2	2	2	2
594	Gasket, Cu-ring ALCO CONTROLS (1 piece)		2974343	4	4	4	4	4	4	4	4	4	4	4	4	4	4	4	4	4	4	4	4
595	Sensor with gaskets OPS1		3110784	1	1	1	1	1	1	1	1	1	1	1	1	1	1	1	1	1	1	1	1
595	Sensor with gaskets SENTRONIC+ NEW (Caution! Obsolete and new SENTRONIC parts, e.g. obsolete module with new sensor, must be used commonly)		3107046	1	1	1	1	1	1	1	1	1	1	1	1	1	1	1	1	1	1	1	1
596	Gasket, O-ring for sensor OPS1/SENTRONIC		2944124	1	1	1	1	1	1	1	1	1	1	1	1	1	1	1	1	1	1	1	1
597	Gasket, circular for sensor OPS1		3112586	1	1	1	1	1	1	1	1	1	1	1	1	1	1	1	1	1	1	1	1
597	Gasket, circular for sensor SENTRONIC		2951831	1	1	1	1	1	1	1	1	1	1	1	1	1	1	1	1	1	1	1	1
598	Protection cap for reset botton OPS1		3112268	1	1	1	1	1	1	1	1	1	1	1	1	1	1	1	1	1	1	1	1
	PG-screw connection (kit) OPS1		3112348	1	1	1	1	1	1	1	1	1	1	1	1	1	1	1	1	1	1	1	1
	Extension cable 3,6 m SENTRONIC+ NEW (Caution! Obsolete and new SENTRONIC parts, e.g. obsolete module with new sensor, must not be used commonly)		3107035	1	1	1	1	1	1	1	1	1	1	1	1	1	1	1	1	1	1	1	1
600	Additional fan assy, vertical 220-1-50/60 EBM		3117207	1	1	1	1	1	1	1	1	1	1										

Diagram No.	Description	Part No.	D2SA*-45X	D2SA*-450	D2SA*-55X	D2SA*-550	D2SC*-55X	D2SC*-550	D2SC*-65X	D2SC*-650	D2SK*-65X	D2SK*-650	D3SA*-75X	D3SA*-750	D3SC*-75X	D3SC*-750	D3SC*-100X	D3SC*-1000	D3SS*-100X	D3SS*-1000	D3SS*-150X	D3SS*-1500
600	Additional fan assy, vertical 220-1-50/60 EBM	3098784											1	1	1	1	1	1	1	1	1	1
600	Additional fan assy, vertical 220/380-3-50/60 EBM	3117218	1	1	1	1	1	1	1	1	1	1										
600	Additional fan assy, vertical 220/380-3-50/60 EBM	2988120											1	1	1	1	1	1	1	1	1	1
601/602	Additional fan assy, vertical 220-1-50 EBM w/o mounting kit	2998245	1	1	1	1	1	1	1	1	1	1	1	1	1	1	1	1	1	1	1	1
601/602	Additional fan assy, vertical 220/380-3-50/60 EBM w/o mounting kit	2998256	1	1	1	1	1	1	1	1	1	1	1	1	1	1	1	1	1	1	1	1
	Run capacitor 5 µF for additional fan 220-1-50/60 EBM	3097996	1	1	1	1	1	1	1	1	1	1	1	1	1	1	1	1	1	1	1	1
610	Mounting kit for additional fan EBM	3117229	1	1	1	1	1	1	1	1	1	1										
610	Mounting kit for additional fan EBM	2988095											1	1	1	1	1	1	1	1	1	1
	DTC-valve assy	3120525											1	1	1	1	1	1	1	1	1	1
	DTC-valve	3120514											1	1	1	1	1	1	1	1	1	1
	Insert socket for liquid injection, DTC-valve	3117003											1	1	1	1	1	1	1	1	1	1
	Gasket, O-ring for DTC-valve	8536083											1	1	1	1	1	1	1	1	1	1
	Filter for DTC-valve	3120536											1	1	1	1	1	1	1	1	1	1
	Filter drier 6 mm, ADK-Plus ALCO CONTROLS	2981356											1	1	1	1	1	1	1	1	1	1
	Filter drier 1/4", ADK-Plus ALCO CONTROLS	8032218											1	1	1	1	1	1	1	1	1	1

Miscellaneous					
Item	Specification	Order Number	Item	Specification	Order Number
Adapter	1/8" - 27 NPTF	2059791	Waterhose	1/2"	2486102
Adapter	1/4" - 18 NPTF	2038650	Waterhose	1"	2487569
Angle adapter	1/4" - 18 NPTF	2038956	Worm drive hose clip for waterhose	1/2"	2486113
T-adapter	1/8" - 27 NPTF	2059780	Worm drive hose clip for waterhose	1"	2487570
T-adapter	1/4" - 18 NPTF	2059779	Oil separator	OS-16	2981265
T-adapter for oil pressure safety switch	1/4" - 18 NPTF	2039993	Oil separator	OS-22 F	3097941
Schrader valve	1/8" - 27 NPTF	2051117	Oil separator	OS-28 F	2946482
Schrader valve	1/4" - 18 NPTF	2830696	Socket wrench for Torx-screw (rod)	1/2" - Drive	2455275
Schrader valve - T	1/8" - 27 NPTF	2048797	Sight glass key DK, DL, DN (except DN..2)		2831213
Connection for Schrader valve		2502400	Key for sight glass retainer for oil balance DK, DL, DN (except DN..2)	DK, DL, DN (except DN..2)	2831462
Loctite (tube 50 cm3)	Loctite 572	2195148	Screw plug	1/8" - 27 NPTF	2043156
Refrigeration-oil (can 1 l)	SHELL 22-12	2190814	Screw plug	1/4" - 18 NPTF	2045685
Refrigeration-oil (can 4 l)	Suniso 3 GS	3103953	Screw plug	3/8" - 18 NPTF	2040997
Refrigeration-oil (can 3 l)	ALKYLAT 150 DT	2834234	Screw plug	1/2" - 14 NPTF	2856027
Refrigeration-oil (can 1 US quart, appr. 0,946 l)	Mobil EAL ARCTIC 22 CC	3808203	Screw plug for liquid receiver and WR/K-receiver	1/2" - 14 NPTF Ms	2976838
Refrigeration-oil (can 1 US gallone, appr. 3,8 l)	Mobil EAL ARCTIC 22 CC	3808190	Liquid receiver, special horizontal design	13 l for DK	2479699
Refrigeration-oil (can 1 l)	ICI EMKARATE RL 32 CF	3808112	Liquid receiver, special horizontal design	23 l for DL, DN, DM, D2	2479702
Refrigeration-oil (can 5 l)	ICI EMKARATE RL 32 CF	3808123	Liquid receiver, special horizontal design	44 l for DL, DN, DM, D2, D3, D9, D4, D6	2479713
Refrigeration-oil (canister 20 l)	ICI EMKARATE RL 32 CF	3808134	Hand-refractometer	998-RMET-00	8024575
Varnish, grey (can 1 kg)	RAL 7031	2641141	Module for S-protection (complete for conversion into MP 23)	Kriwan INT 300 internal 120 V	3806025
Varnish, grey, spray (carton, 6 cans)	RAL 7031	2836898	Module for S-protection (complete for conversion into MP 23)	Kriwan INT 300 internal 230 V	2941852
Capillary tube with gaskets, Cu-ring	2,4 x 0,45 1000 mm length	3808214			
Capillary tube with gaskets, Cu-ring	2,4 x 0,45 1500 mm length	3808225			
Cleaning brushes for WR/K-condensers		2039324			