

---

# DWM COPELAND

---

Spare Parts List for  
Motor Compressors

D3D\*5

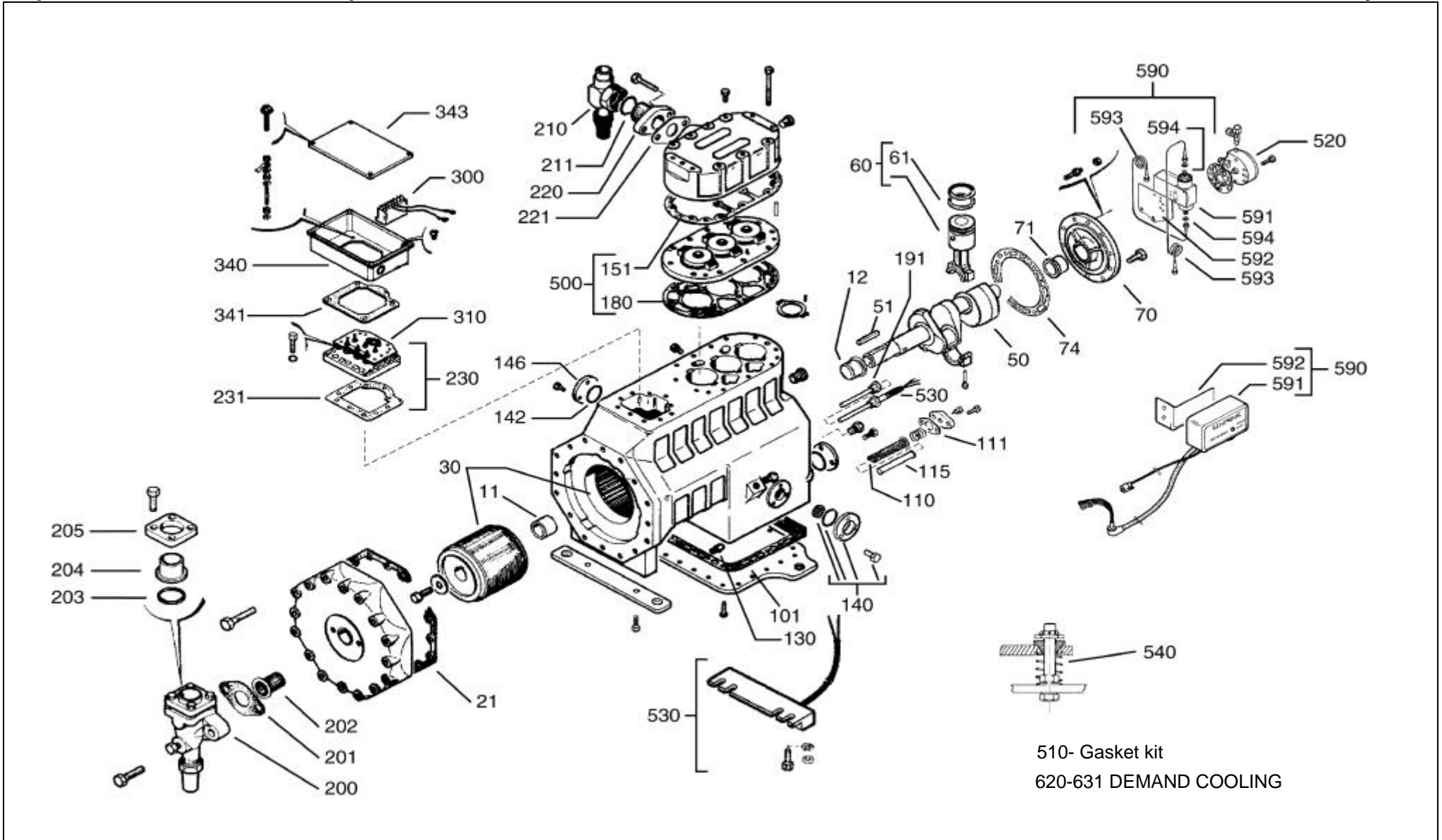
---



09/03

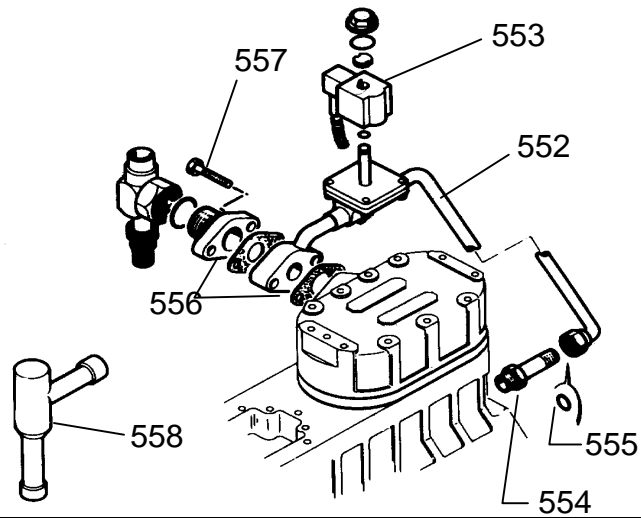
# Exploded View of a Motor Compressor

D3D\*5, DISCUS 3-Cylinder

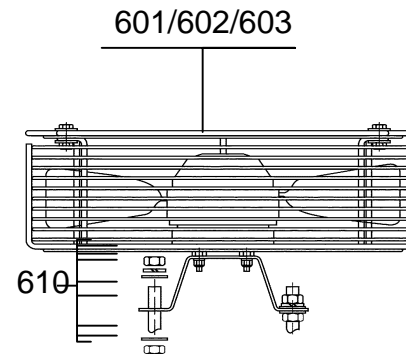


## Exploded View of Accessories

550 Unloaded Start

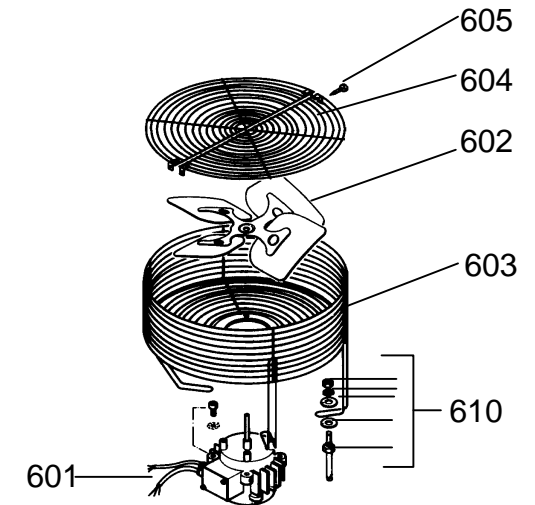


600 Additional fan EBM 75 Z from 01/96

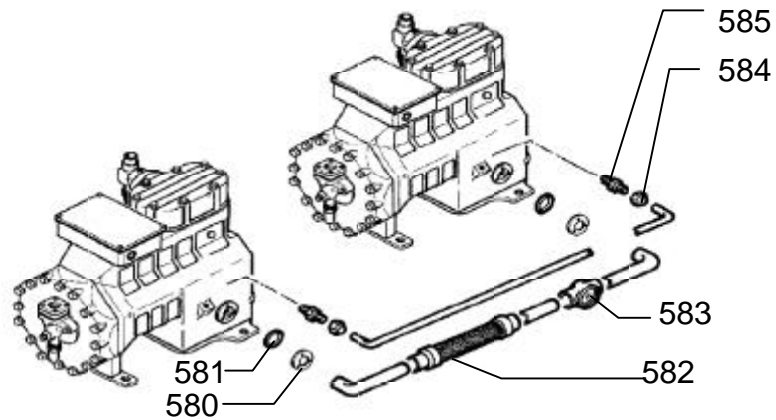


## D3D\*5, DISCUS 3-Cylinder

600 Additional fan 60W before 01/96



Oil balance tube 2 compressors



560 Capacity Control

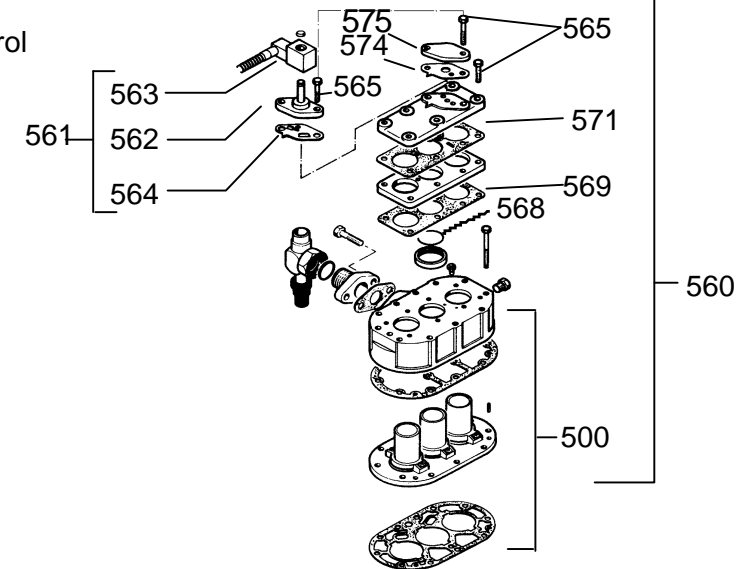


Diagram No.	Description	Part No.	D3DA5-500	D3DA5-500 H	D3DA5-500 L	D3DA5-750	D3DA5-750 H	D3DC5-750	D3DC5-750 H	D3DC5-750 L	D3DC5-1000	D3DC5-1000 H	D3DS5-1000	D3DS5-1000 H	D3DS5-1000 L	D3DS5-1500	D3DS5-1500 H
11	Body main bearing plain, motor side	2940860	1	1	1	1	1	1	1	1	1	1	1	1	1	1	1
12	Body main bearing thrust, gear side	2940871	1	1	1	1	1	1	1	1	1	1	1	1	1	1	1
21	Gasket for stator cover	2951411	1	1	1	1	1	1	1	1	1	1	1	1	1	1	1
30	Motor unit 5HP AWM/D	4565558	1	1	1												
30	Motor unit 5HP EWM/D	2569076	1	1	1												
30	Motor unit 5HP EWL/N	2569065	1	1	1												
30	Motor unit 5HP EWK	2569101	1	1	1												
30	Motor unit 7,5HP AWM/D	4560417				1	1										
30	Motor unit 7,5HP EWM/D	4560406				1	1										
30	Motor unit 7,5HP EWL/N	4560702				1	1										
30	Motor unit 7,5HP EWK	4560713				1	1										
30	Motor unit 7,5HP AWM/D	4566380						1	1	1							
30	Motor unit 7,5HP EWM/D	2569156						1	1	1							
30	Motor unit 7,5HP EWL/N	2569145						1	1	1							
30	Motor unit 7,5HP EWK	2569190						1	1	1							
30	Motor unit 10HP AWM/D	4560451									1	1					
30	Motor unit 10HP EWM/D	4560440									1	1					
30	Motor unit 10HP EWL/N	4560826									1	1					
30	Motor unit 10HP EWK	4560837									1	1					
30	Motor unit 10HP AWM/D	4560473											1	1	1		
30	Motor unit 10HP EWM/D	4560462											1	1	1		
30	Motor unit 10HP EWL/N	4560871											1	1	1		
30	Motor unit 10HP EWK	4560882											1	1	1		
30	Motor unit 15HP AWM/D	4560495														1	1
30	Motor unit 15HP EWM/D	4560484														1	1
30	Motor unit 15HP EWL/N	4560655														1	1
30	Motor unit 15HP EWK	4560666														1	1
50	Crankshaft	2938001	1	1	1			1	1	1							
50	Crankshaft	2938012				1	1				1	1					
50	Crankshaft	2938023											1	1	1	1	1
51	Crankshaft key	2048946	1	1	1	1	1	1	1	1	1	1	1	1	1	1	1
60	Piston con-rod assy, 3 pcs per kit	2836229	1	1	1	1	1										
60	Piston con-rod assy, 3 pcs per kit	2836230						1	1	1	1	1					
60	Piston con-rod assy, 3 pcs per kit	2836241											1	1	1	1	1
61	Piston ring	2972132	6	6	6	6	6										
61	Piston ring	2972154						6	6	6	6	6					
61	Piston ring	2972165											6	6	6	6	6

Diagram No.	Description	Part No.	D3DA5-500	D3DA5-500 H	D3DA5-500 L	D3DA5-750	D3DA5-750 H	D3DC5-750	D3DC5-750 H	D3DC5-750 L	D3DC5-1000	D3DC5-1000 H	D3DS5-1000	D3DS5-1000 H	D3DS5-1000 L	D3DS5-1500	D3DS5-1500 H	
70	Housing cover with bearing	2947327	1	1	1	1	1	1	1	1	1	1	1	1	1	1	1	1
71	Bearing for housing cover	2941603	1	1	1	1	1	1	1	1	1	1	1	1	1	1	1	1
74	Gasket for housing cover	2959368	1	1	1	1	1	1	1	1	1	1	1	1	1	1	1	1
81	Gasket for oil pump	2993488	1	1	1	1	1	1	1	1	1	1	1	1	1	1	1	1
81	Gasket, O-ring for oil pump	2947601	1	1	1	1	1	1	1	1	1	1	1	1	1	1	1	1
101	Gasket for bottom plate	2993499	1	1	1	1	1	1	1	1	1	1	1	1	1	1	1	1
110/111	Oil screen with gasket	3806741	1	1	1	1	1	1	1	1	1	1	1	1	1	1	1	1
111	Gasket for oil screen	2993455	1	1	1	1	1	1	1	1	1	1	1	1	1	1	1	1
115	Sleeve for oil screen	2525398	1	1	1	1	1	1	1	1	1	1	1	1	1	1	1	1
130	Oil check valve	2852661	1	1	1	1	1	1	1	1	1	1	1	1	1	1	1	1
140	Oil sight glass, complete	2482519	1	1	1	1	1	1	1	1	1	1	1	1	1	1	1	1
142	Gasket for oil sight glass and blind flange (1 piece)	2042028	3	3	3	3	3	3	3	3	3	3	3	3	3	3	3	3
146	Blind flange with gasket instead of oil sight glass (1 piece)	3805895	2	2	2	2	2	2	2	2	2	2	2	2	2	2	2	2
151	Gasket for valve plate below cylinder head	2937893	1	1	1	1	1	1	1	1	1	1	1	1	1	1	1	1
151/180	Gaskets for valve plate (kit), below cylinder head (1 piece), below valve plate (3 pieces)	2998654	1	1	1	1	1											
151/180	Gaskets for valve plate (kit), below cylinder head (1 piece), below valve plate (3 pieces)	2998665						1	1	1	1	1						
151/180	Gaskets for valve plate (kit), below cylinder head (1 piece), below valve plate (3 pieces)	2998676											1	1	1	1	1	1
180	Gasket for valve plate below valve plate, must be ordered to match the thickness of the original - see gasket tab 0,031-0,033 inches	2996783	1	1	1	1	1											
180	Gasket for valve plate below valve plate, must be ordered to match the thickness of the original - see gasket tab 0,034-0,037 inches	2996807	1	1	1	1	1											
180	Gasket for valve plate below valve plate, must be ordered to match the thickness of the original - see gasket tab 0,038-0,041 inches	2996829	1	1	1	1	1											
180	Gasket for valve plate below valve plate, must be ordered to match the thickness of the original - see gasket tab 0,031-0,033 inches	2996852						1	1	1	1	1						
180	Gasket for valve plate below valve plate, must be ordered to match the thickness of the original - see gasket tab 0,034-0,037 inches	2996874						1	1	1	1	1						
180	Gasket for valve plate below valve plate, must be ordered to match the thickness of the original - see gasket tab 0,038-0,041 inches	2996896						1	1	1	1	1						
180	Gasket for valve plate below valve plate, must be ordered to match the thickness of the original - see gasket tab 0,031-0,033 inches	2996921											1	1	1	1	1	1
180	Gasket for valve plate below valve plate, must be ordered to match the thickness of the original - see gasket tab 0,034-0,037 inches	2996943											1	1	1	1	1	1
180	Gasket for valve plate below valve plate, must be ordered to match the thickness of the original - see gasket tab 0,038-0,041 inches	2996965											1	1	1	1	1	1
191	Sleeve for crankcase heater	2948091	1	1	1	1	1	1	1	1	1	1	1	1	1	1	1	1

Diagram No.	Description		Part No.	D3DA5-500	D3DA5-500 H	D3DA5-500 L	D3DA5-750	D3DA5-750 H	D3DC5-750	D3DC5-750 H	D3DC5-750 L	D3DC5-1000	D3DC5-1000 H	D3DS5-1000	D3DS5-1000 H	D3DS5-1000 L	D3DS5-1500	D3DS5-1500 H
200/201	Suction shut-off valve with gasket, sweat 1 3/8"		2837062	1	1	1	1	1	1	1	1	1	1	1	1	1		
200/201	Suction shut-off valve with gasket, sweat 1 5/8"/42mm		2837084														1	1
	Suction shut-off valve with gasket, sweat 2 1/8" Tandem-compressors		2837119	1	1	1	1	1	1	1	1	1	1	1	1	1	1	1
201	Gasket for suction shut-off valve		2963043	1	1	1	1	1	1	1	1	1	1	1	1	1		
201	Gasket for suction shut-off valve		2880851														1	1
	Gasket for suction shut-off valve, Tandem-compressors		2880862	1	1	1	1	1	1	1	1	1	1	1	1	1	1	1
201/202	Suction screen with gasket		3806752	1	1	1	1	1	1	1	1	1	1	1	1	1		
201/202	Suction screen with gasket		3806763														1	1
203	Gasket for Pipe socket		2880884	1	1	1	1	1	1	1	1	1	1	1	1	1		
203	Gasket for pipe socket Henry		2880895														1	1
203	Gasket for pipe socket Nobis		2881467														1	1
	Gasket for pipe socket, Tandem-compressors		3091932	1	1	1	1	1	1	1	1	1	1	1	1	1	1	1
204	Pipe socket 1 3/8"		2048060	1	1	1	1	1	1	1	1	1	1	1	1	1		
204	Pipe socket 1 5/8"/42 mm Henry		2938829														1	1
204	Pepe socket 1 5/8"/42 mm Nobis		2938830														1	1
	Pipe socket 2 1/8" Henry Tandem-compressors		2832830	1	1	1	1	1	1	1	1	1	1	1	1	1	1	1
	Pipe socket 2 1/8" Nobis Tandem-compressors		2832841	1	1	1	1	1	1	1	1	1	1	1	1	1	1	1
205	Flange 1 3/8"		2045152	1	1	1	1	1	1	1	1	1	1	1	1	1		
205	Flange 1 5/8"/42 mm Henry/Nobis		2050078														1	1
	Flange 2 1/8" Henry Tandem-compressors		2050578	1	1	1	1	1	1	1	1	1	1	1	1	1	1	1
	Flange 2 1/8" Nobis Tandem-compressors		2946846	1	1	1	1	1	1	1	1	1	1	1	1	1	1	1
210/211	Discharge shut-off valve with gasket, sweat 1 1/8"	1 3/4" - 12, I.D. 1 1/8"	2837131	1	1	1	1	1	1	1	1	1	1	1	1	1	1	1
211	Gasket for discharge shut-off valve		2050772	1	1	1	1	1	1	1	1	1	1	1	1	1	1	1
212	Shipping plate with gasket and screws (kit), suction side		2846082	1	1	1	1	1	1	1	1	1	1	1	1	1		
212	Shipping plate with gasket and screws (kit), suction side		2846093														1	1
212	Shipping plate with gasket and screws (kit), discharge side		2846082	1	1	1	1	1	1	1	1	1	1	1	1	1	1	1
220	Mounting adapter for Rotalock valve		2050749	1	1	1	1	1	1	1	1	1	1	1	1	1	1	1
221	Gasket for mounting adapter Rotalock valve		2880908	1	1	1	1	1	1	1	1	1	1	1	1	1	1	1
230	Terminal plate assy		2834596	1	1	1	1	1	1	1	1	1	1	1	1	1	1	1
231	Gasket for terminal plate		2952823	1	1	1	1	1	1	1	1	1	1	1	1	1	1	1
300	Module for VW-protection Kriwan INT 69 internal 24 V, DC		2832465	1	1	1	1	1	1	1	1	1	1	1	1	1	1	1
300	Module for VW-protection Kriwan INT 69 internal 24 V		2830367	1	1	1	1	1	1	1	1	1	1	1	1	1	1	1
300	Module for VW-protection Kriwan INT 69 internal 110 V		2830130	1	1	1	1	1	1	1	1	1	1	1	1	1	1	1
300	Module for VW-protection Kriwan INT 69 internal 230 V		2914552	1	1	1	1	1	1	1	1	1	1	1	1	1	1	1
300	Module for VW-protection Kriwan INT 69 internal 200-260 V		2940962	1	1	1	1	1	1	1	1	1	1	1	1	1	1	1
310	Terminal board assy		2939866	1	1	1	1	1	1	1	1	1	1	1	1	1	1	1
340	Terminal box		2938250	1	1	1	1	1	1	1	1	1	1	1	1	1	1	1

Diagram No.	Description	Part No.	D3DA5-500	D3DA5-500 H	D3DA5-500 L	D3DA5-750	D3DA5-750 H	D3DC5-750	D3DC5-750 H	D3DC5-750 L	D3DC5-1000	D3DC5-1000 H	D3DS5-1000	D3DS5-1000 H	D3DS5-1000 L	D3DS5-1500	D3DS5-1500 H
341	Gasket for terminal box	2938385	1	1	1	1	1	1	1	1	1	1	1	1	1	1	1
343	Cover for terminal box, motor EW_, TW_	2945490	1	1	1	1	1	1	1	1	1	1	1	1	1	1	1
343	Cover for terminal box, motor AW_	2945503	1	1	1	1	1	1	1	1	1	1	1	1	1	1	1
500	Valve plate assy, with the corresponding thickest valve plate gasket	2998609	1					1					1				
500	Valve plate assy, with the corresponding thickest valve plate gasket	2998610				1					1					1	
500	Valve plate assy, with the corresponding thickest valve plate gasket - for operation with refrigerants R134a/R404A/R507	2999511		1													
500	Valve plate assy, with the corresponding thickest valve plate gasket	2999248			1					1							
500	Valve plate assy, with the corresponding thickest valve plate gasket - for operation with refrigerants R134a/R404A/R507	2999179			1					1							
500	Valve plate assy, with the corresponding thickest valve plate gasket	2999157		1			1										
500	Valve plate assy, with the corresponding thickest valve plate gasket - for operation with refrigerants R134a/R404A/R507	2999168					1										
500	Valve plate assy, with the corresponding thickest valve plate gasket	2999180							1			1					
500	Valve plate assy, with the corresponding thickest valve plate gasket - for operation with refrigerants R134a/R404A/R507	2999191							1			1					
500	Valve plate assy, with the corresponding thickest valve plate gasket	2999204												1			1
500	Valve plate assy, with the corresponding thickest valve plate gasket - for operation with refrigerants R134a/R404A/R507	2999215												1			1
500	Valve plate assy, with the corresponding thickest valve plate gasket	2999226													1		
500	Valve plate assy, with the corresponding thickest valve plate gasket - for operation with refrigerants R134a/R404A/R507	2999237														1	
510	Gasket kit, with the corresponding thickest valve plate gaskets	2998621	1	1	1	1	1	1	1	1	1	1	1	1	1	1	1
520	Oil pump assy	2832761	1	1	1	1	1	1	1	1	1	1	1	1	1	1	1
530	Crankcase heater, external 65 W, 120 V	4577431	1	1	1	1	1	1	1	1	1	1	1	1	1	1	1
530	Crankcase heater, external 65 W, 240 V	4577420	1	1	1	1	1	1	1	1	1	1	1	1	1	1	1
530	Crankcase heater, external 65 W, 480 V	4577442	1	1	1	1	1	1	1	1	1	1	1	1	1	1	1
530	Crankcase heater, internal 70 W, 115 V	6717946	1	1	1	1	1	1	1	1	1	1	1	1	1	1	1
530	Crankcase heater, internal 70 W, 230 V	2834198	1	1	1	1	1	1	1	1	1	1	1	1	1	1	1
530	Crankcase heater, internal 70 W, 480 V	3806310	1	1	1	1	1	1	1	1	1	1	1	1	1	1	1
531	Silicon paste for mounting the crankcase heater into the heater sleeve	2942537	1	1	1	1	1	1	1	1	1	1	1	1	1	1	1
540	Mounting parts (kit)	2188748	1	1	1	1	1	1	1	1							
540	Mounting parts (kit)	2188884									1	1	1	1	1		
540	Mounting parts (kit)	2049643														1	1
545	Rubber mounting parts (kit)	2933266	1	1	1	1	1	1	1	1	1	1	1	1	1	1	1
550	Unloaded start w/o check valve with solenoid coil 24 V, DC Danfoss	2990309	1	1	1	1	1	1	1	1	1	1	1	1	1	1	1
550	Unloaded start w/o check valve with solenoid coil 24 V, 50 Hz Danfoss	2990207	1	1	1	1	1	1	1	1	1	1	1	1	1	1	1

Diagram No.	Description	Part No.	D3DA5-500	D3DA5-500 H	D3DA5-500 L	D3DA5-750	D3DA5-750 H	D3DC5-750	D3DC5-750 H	D3DC5-750 L	D3DC5-1000	D3DC5-1000 H	D3DS5-1000	D3DS5-1000 H	D3DS5-1000 L	D3DS5-1500	D3DS5-1500 H
550	Unloaded start w/o check valve with solenoid coil 110 V, 50/60 Hz Danfoss	2990105	1	1	1	1	1	1	1	1	1	1	1	1	1	1	1
550	Unloaded start w/o check valve with solenoid coil 230 V, 50/60 Hz Danfoss	2833991	1	1	1	1	1	1	1	1	1	1	1	1	1	1	1
552	Unloaded start (piping assy), w/o solinoid coil, w/o gaskets Danfoss	2944168	1	1	1	1	1	1	1	1	1	1	1	1	1	1	1
553	Solenoid coil for unloaded start 24 V, DC Danfoss	2940268	1	1	1	1	1	1	1	1	1	1	1	1	1	1	1
553	Solenoid coil for unloaded start 24 V, 50 Hz Danfoss	2940257	1	1	1	1	1	1	1	1	1	1	1	1	1	1	1
553	Solenoid coil for unloaded start 110 V, 50/60 Hz Danfoss	2940246	1	1	1	1	1	1	1	1	1	1	1	1	1	1	1
553	Solenoid coil for unloaded start 230 V, 50/60 Hz Danfoss	2940235	1	1	1	1	1	1	1	1	1	1	1	1	1	1	1
554	Adapter, Rotalock	2944204	1	1	1	1	1	1	1	1	1	1	1	1	1	1	1
555	Gasket for adapter Rotalock, suction side	2495928	1	1	1	1	1	1	1	1	1	1	1	1	1	1	1
556	Gasket for flange, discharge side (1 piece)	2963043	2	2	2	2	2	2	2	2	2	2	2	2	2	2	2
557	Screw 1/2"-13 UNC x 2 3/4" 8.8 (1 piece)	2040588	2	2	2	2	2	2	2	2	2	2	2	2	2	2	2
558	Check valve 22 mm NRV 22 S	2946891	1	1	1												
558	Check valve with a stronger spring for Tandem-compressors and parallel systems 22 mm NRVH 22 S	2952243	1	1	1												
558	Check valve 28 mm NRV 22 S	2995906				1	1	1	1	1	1	1	1	1	1	1	1
558	Check valve with a stronger spring for Tandem-compressors and parallel systems 28 mm NRVH 22 S	2995600				1	1	1	1	1	1	1	1	1	1	1	1
560	Valve plate with capacity control, gaskets and cylinder head, with the corresponding thickest valve plate gasket - for operation with refrigerants R134a/R404A/R507	2999522		1													
560	Valve plate with capacity control, gaskets and cylinder head, with the corresponding thickest valve plate gasket	2999259			1					1							
560	Valve plate with capacity control, gaskets and cylinder head, with the corresponding thickest valve plate gasket - for operation with refrigerants R134a/R404A/R507	2999260			1					1							
560	Valve plate with capacity control, gaskets and cylinder head, with the corresponding thickest valve plate gasket	2999271		1			1										
560	Valve plate with capacity control, gaskets and cylinder head, with the corresponding thickest valve plate gasket - for operation with refrigerants R134a/R404A/R507	2999282					1										
560	Valve plate with capacity control, gaskets and cylinder head, with the corresponding thickest valve plate gasket	2999293							1			1					
560	Valve plate with capacity control, gaskets and cylinder head, with the corresponding thickest valve plate gasket - for operation with refrigerants R134a/R404A/R507	2999306							1			1					
560	Valve plate with capacity control, gaskets and cylinder head, with the corresponding thickest valve plate gasket	2999317													1		1
560	Valve plate with capacity control, gaskets and cylinder head, with the corresponding thickest valve plate gasket - for operation with refrigerants R134a/R404A/R507	2999328													1		1



Diagram No.	Description	Part No.	D3DA5-500	D3DA5-500 H	D3DA5-500 L	D3DA5-750	D3DA5-750 H	D3DC5-750	D3DC5-750 H	D3DC5-750 L	D3DC5-1000	D3DC5-1000 H	D3DS5-1000	D3DS5-1000 H	D3DS5-1000 L	D3DS5-1500	D3DS5-1500 H	
560	Valve plate with capacity control, gaskets and cylinder head, with the corresponding thickest valve plate gasket	2999339														1		
560	Valve plate with capacity control, gaskets and cylinder head, with the corresponding thickest valve plate gasket - for operation with refrigerants R134a/R404A/R507	2999340														1		
561	Capacity control kit (control valve, gasket, solenoid coil) 24 V, DC ALCO CONTROLS	2833446		1	1		1		1	1		1		1	1		1	
561	Capacity control kit (control valve, gasket, solenoid coil) 24 V, 50/60 Hz ALCO CONTROLS	2833457		1	1		1		1	1		1		1	1		1	
561	Capacity control kit (control valve, gasket, solenoid coil) 120 V, 50/60 Hz ALCO CONTROLS	2833468		1	1		1		1	1		1		1	1		1	
561	Capacity control kit (control valve, gasket, solenoid coil) 230 V, 50/60 Hz ALCO CONTROLS	2833479		1	1		1		1	1		1		1	1		1	
562	Control valve for capacity control, w/o solenoid coil ALCO CONTROLS	2943494		1	1		1		1	1		1		1	1		1	
563	Solenoid coil for capacity control 24 V, DC ALCO CONTROLS	2831337		1	1		1		1	1		1		1	1		1	
563	Solenoid coil for capacity control 24 V, 50/60 Hz ALCO CONTROL	2731051		1	1		1		1	1		1		1	1		1	
563	Solenoid coil for capacity control 120 V, 50/60 Hz ALCO CONTROLS	2830049		1	1		1		1	1		1		1	1		1	
563	Solenoid coil for capacity control 230 V, 50/60 Hz ALCO CONTROLS	2640773		1	1		1		1	1		1		1	1		1	
564	Gasket for control valve	2954954		1	1		1		1	1		1		1	1		1	
565	Screw 3/8"-16 UNC x 2 1/4" 10.9 (1 piece)	2943483		2	2		2		2	2		2		2	2		2	
568	Gasket, O-ring for spacer	2945434		3	3		3		3	3		3		3	3		3	
569	Gasket for spacer plate	2943449		1	1		1		1	1		1		1	1		1	
571	Gasket for cover plate	2943438		1	1		1		1	1		1		1	1		1	
574	Gasket for shipping plate (capacity control)	2947134		1	1		1		1	1		1		1	1		1	
575	Shipping plate for capacity control (capacity control not active)	2830016		1	1		1		1	1		1		1	1		1	
580	Flange sweat (1 piece)	2496330	2	2	2	2	2	2	2	2	2	2	2	2	2	2	2	2
581	Gasket for flange sweat (1 piece)	2042028	2	2	2	2	2	2	2	2	2	2	2	2	2	2	2	2
582	Vibration absorber	2040099	1	1	1	1	1	1	1	1	1	1	1	1	1	1	1	1
583	Oil sight glass SLG-28	2495882	1	1	1	1	1	1	1	1	1	1	1	1	1	1	1	1
584	Insert socket 1/4"- 18 NPTF (1 piece)	2063909	2	2	2	2	2	2	2	2	2	2	2	2	2	2	2	2
585	Cup nut (1 piece)	2038456	2	2	2	2	2	2	2	2	2	2	2	2	2	2	2	2
586	Oil and gas equalization line for 1 compressor (flange sweat, gasket, insert socket, cap nut)	3106952	1	1	1	1	1	1	1	1	1	1	1	1	1	1	1	1
587	Oil regulation system, complete, ALCO OMA TraxOil	OMA-CUA	8526719	1	1	1	1	1	1	1	1	1	1	1	1	1	1	1
587	Transformer for oil regulating system ALCO OMA TraxOil	ETC-523	8527518	1	1	1	1	1	1	1	1	1	1	1	1	1	1	1
588	Oil balance tube for Tandem-compressors	2948433	1	1	1	1	1	1	1	1	1	1	1	1	1	1	1	1
	Oil pressure safety switch complete (sensor, electronic switch and PG-screw connections) 115 V, 50/60 Hz OPS1	115 V, 50/60 Hz	3115825	1	1	1	1	1	1	1	1	1	1	1	1	1	1	1
	Oil pressure safety switch complete (sensor, electronic switch and PG-screw connections) 230 V, 50/60 Hz OPS1	230 V, 50/60 Hz	3112257	1	1	1	1	1	1	1	1	1	1	1	1	1	1	1
590	Oil pressure safety switch with bracket and two capillary tubes ALCO CONTROLS		2834007	1	1	1	1	1	1	1	1	1	1	1	1	1	1	1
590	Oil pressure safety switch with bracket and two capillary tubes for unloaded start ALCO CONTROLS		2834041	1	1	1	1	1	1	1	1	1	1	1	1	1	1	1

Diagram No.	Description		Part No.	D3DA5-500	D3DA5-500 H	D3DA5-500 L	D3DA5-750	D3DA5-750 H	D3DC5-750	D3DC5-750 H	D3DC5-750 L	D3DC5-1000	D3DC5-1000 H	D3DS5-1000	D3DS5-1000 H	D3DS5-1000 L	D3DS5-1500	D3DS5-1500 H
590	Oil pressure safety switch with bracket and sensor SENTRONIC+ NEW		2952221	1	1	1	1	1	1	1	1	1	1	1	1	1	1	1
	Electronic switch 115 V, 50/60 Hz OPS1 (CAUTION! For initial installation order 3115814, including PG-screw connections)		3115814	1	1	1	1	1	1	1	1	1	1	1	1	1	1	1
	Electronic switch 230 V, 50/60 Hz OPS1 (CAUTION! For initial installation order 3112462, including PG-screw connections)	230 V, 50/60 Hz	3110795	1	1	1	1	1	1	1	1	1	1	1	1	1	1	1
591	Oil pressure safety switch, w/o bracket, w/o capillary tubes ALCO CONTROLS		2966622	1	1	1	1	1	1	1	1	1	1	1	1	1	1	1
591	Oil pressure safety switch w/o bracket, w/o sensor SENTRONIC+ NEW (Caution! Obsolete and new SENTRONIC parts, e.g. obsolete module with new sensor, must not be used commonly)		3127822	1	1	1	1	1	1	1	1	1	1	1	1	1	1	1
591/593	Oil pressure safety switch with 2 capillary tubes, w/o bracket ALCO CONTROLS		2942300	1	1	1	1	1	1	1	1	1	1	1	1	1	1	1
592	Bracket for oil pressuresafety switch ALCO CONTROLS/Ranco		2326626	1	1	1	1	1	1	1	1	1	1	1	1	1	1	1
592	Bracket for oil pressure safety switch for madels with unloaded start ALCO CONTROLS/Ranco		2940008	1	1	1	1	1	1	1	1	1	1	1	1	1	1	1
592	Bracket for oil pressure safety switch SENTRONIC		2951864	1	1	1	1	1	1	1	1	1	1	1	1	1	1	1
593	Capillary tube for oil pressure safety switch with gaskets, Cu-ring ALCO CONTROLS/Ranco (1 piece)		3808214	2	2	2	2	2	2	2	2	2	2	2	2	2	2	2
594	Gasket, Cu-ring ALCO CONTROLS/Ranco (1 piece)		2974343	4	4	4	4	4	4	4	4	4	4	4	4	4	4	4
	Sensor with gaskets OPS1		3110784	1	1	1	1	1	1	1	1	1	1	1	1	1	1	1
	Sensor with gaskets SENTRONIC+ NEW (Caution! Obsolete and new SENTRONIC parts, e.g. obsolete module with new sensor, must be used commonly)		3107046	1	1	1	1	1	1	1	1	1	1	1	1	1	1	1
	Gasket, O-ring for sensor OPS1/SENTRONIC		2944124	1	1	1	1	1	1	1	1	1	1	1	1	1	1	1
	Gasket, circular for sensor OPS1		3112586	1	1	1	1	1	1	1	1	1	1	1	1	1	1	1
	Gasket, circular for sensor SENTRONIC		2951831	1	1	1	1	1	1	1	1	1	1	1	1	1	1	1
	PG-screw connection (kit) OPS1		3112348	1	1	1	1	1	1	1	1	1	1	1	1	1	1	1
	Protection cap for reset botton OPS1		3112268	1	1	1	1	1	1	1	1	1	1	1	1	1	1	1
	Extension cable 3,6 m SENTRONIC+ NEW (Caution! Obsolete and new SENTRONIC parts, e.g. obsolete module with new sensor, must not be used commonly)		3107035	1	1	1	1	1	1	1	1	1	1	1	1	1	1	1
600	Additional fan assy, vertical 220-1-50/60 EBM		3098784	1			1		1			1		1			1	
600	Additional fan assy, vertical 220-1-50/60 EBM		3098819		1	1		1		1	1		1		1	1		1
600	Additional fan assy, vertical 220/380-3-50/60 EBM		2988120	1			1		1			1		1			1	
600	Additional fan assy, vertical 220/380-3-50/60 EBM		3098808		1	1		1		1	1		1		1	1		1
600	Additional fan assy, vertical 500-3-50 EBM		3098795	1			1		1			1		1			1	
600	Additional fan assy, vertical 500-3-50 EBM		3098820		1	1		1		1	1		1		1	1		1
601/602/	Additional fan assy, vertical 220-1-50 EBM w/o mounting kit		2998245	1	1	1	1	1	1	1	1	1	1	1	1	1	1	1
601/602/	Additional fan assy, vertical 220/380-3-50/60 EBM w/o mounting kit		2998256	1	1	1	1	1	1	1	1	1	1	1	1	1	1	1
601/602/	Additional fan assy, vertical 500-3-50 EBM w/o mounting kit		2998267	1	1	1	1	1	1	1	1	1	1	1	1	1	1	1
	Run capacitor 5 µF for additional fan 220-1-50/60 EBM		3097996	1	1	1	1	1	1	1	1	1	1	1	1	1	1	1
610	Mounting kit for additional fan EBM		2988095	1			1		1			1		1			1	

Diagram No.	Description	Part No.	D3DA5-500	D3DA5-500 H	D3DA5-500 L	D3DA5-750	D3DA5-750 H	D3DC5-750	D3DC5-750 H	D3DC5-750 L	D3DC5-1000	D3DC5-1000 H	D3DS5-1000	D3DS5-1000 H	D3DS5-1000 L	D3DS5-1500	D3DS5-1500 H	
610	Mounting kit for additional fan EBM	2988108		1	1		1											1
620	DEMAND COOLING assy, 230 V, 50 Hz ALCO CONTROLS	3808634	1					1										
620	DEMAND COOLING assy, 230 V, 60 Hz ALCO CONTROLS	3808656	1					1										
620	DEMAND COOLING assy, 230 V, 50 Hz ALCO CONTROLS	3808645											1					
620	DEMAND COOLING assy, 230 V, 60 Hz ALCO CONTROLS	3808667											1					
621	Module for DEMAND COOLING, 120 V, 50/60 Hz	2954567	1					1					1					
621	Module for DEMAND COOLING, 230 V, 50/60 Hz	2954329	1					1					1					
622	Bracket for module	2954476	1					1					1					
623	Temperature sensor with cable 1 m	2954330	1					1					1					
623	Temperature sensor with cable 3 m	2954681	1					1					1					
624	Expansion valve with solenoid coil 230 V, 50 Hz ALCO CONTROLS	3103884	1					1					1					
624	Expansion valve with solenoid coil 230 V, 60 Hz ALCO CONTROLS	3103840	1					1					1					
625	Expansions valve w/o solenoid coil 50 Hz ALCO CONTROLS	2982213	1					1					1					
625	Expansion valve w/o solenoid coil 60 Hz ALCO CONTROLS	2982224	1					1					1					
626	Solenoid coil for expansion valve 120 V, 50/60 Hz ALCO CONTROLS	2830049	1					1					1					
626	Solenoid coil for expansion valve 230 V, 50/60 Hz ALCO CONTROLS	2640773	1					1					1					
627	Bracket for expansion valve assy	2835431	1					1					1					
628	Piping, complete 50 Hz ALCO CONTROLS	2982279	1					1										
628	Piping, complete 60 Hz ALCO CONTROLS	2982291	1					1										
628	Piping, complete 50 Hz ALCO CONTROLS	2982280											1					
628	Piping, complete 60 Hz ALCO CONTROLS	2982304											1					
629	Filter drier 10 L ALCO CONTROLS	2959380	1					1					1					
630	Sight glass AMI 10L, incl. indicator	2959379	1					1					1					
631	Gasket, Cu-ring	2974376	1					1					1					

<b>Miscellaneous</b>					
<b>Item</b>	<b>Specification</b>	<b>Order Number</b>	<b>Item</b>	<b>Specification</b>	<b>Order Number</b>
Adapter	1/8" - 27 NPTF	2059791	Waterhose	1/2"	2486102
Adapter	1/4" - 18 NPTF	2038650	Waterhose	1"	2487569
Angle adapter	1/4" - 18 NPTF	2038956	Worm drive hose clip for waterhose	1/2"	2486113
T-adapter	1/8" - 27 NPTF	2059780	Worm drive hose clip for waterhose	1"	2487570
T-adapter	1/4" - 18 NPTF	2059779	Oil separator	OS-16	2981265
T-adapter for oil pressure safety switch	1/4" - 18 NPTF	2039993	Oil separator	OS-22 F	3097941
Schrader valve	1/8" - 27 NPTF	2051117	Oil separator	OS-28 F	2946482
Schrader valve	1/4" - 18 NPTF	2830696	Socket wrench for Torx-screw (rod)	1/2" - Drive	2455275
Schrader valve - T	1/8" - 27 NPTF	2048797	Sight glass key DK, DL, DN (except DN..2)		2831213
Connection for Schrader valve		2502400	Key for sight glass retainer for oil balance DK, DL, DN (except DN..2)	DK, DL, DN (except DN..2)	2831462
Loctite (tube 50 cm3)	Loctite 572	2195148	Screw plug	1/8" - 27 NPTF	2043156
Refrigeration-oil (can 1 l)	SHELL 22-12	2190814	Screw plug	1/4" - 18 NPTF	2045685
Refrigeration-oil (can 4 l)	Suniso 3 GS	3103953	Screw plug	3/8" - 18 NPTF	2040997
Refrigeration-oil (can 3 l)	ALKYLAT 150 DT	2834234	Screw plug	1/2" - 14 NPTF	2856027
Refrigeration-oil (can 1 US quart, appr. 0,946 l)	Mobil EAL ARCTIC 22 CC	3808203	Screw plug for liquid receiver and WR/K-receiver	1/2" - 14 NPTF Ms	2976838
Refrigeration-oil (can 1 US gallone, appr. 3,8 l)	Mobil EAL ARCTIC 22 CC	3808190	Liquid receiver, special horizontal design	13 l for DK	2479699
Refrigeration-oil (can 1 l)	ICI EMKARATE RL 32 CF	3808112	Liquid receiver, special horizontal design	23 l for DL, DN, DM, D2	2479702
Refrigeration-oil (can 5 l)	ICI EMKARATE RL 32 CF	3808123	Liquid receiver, special horizontal design	44 l for DL, DN, DM, D2, D3, D9, D4, D6	2479713
Refrigeration-oil (canister 25 l)	ICI EMKARATE RL 32 CF	3808134	Hand-refractometer	998-RMET-00	8024575
Varnish, grey (can 1 kg)	RAL 7031	2641141	Module for S-protection (complete for conversion into MP 23)	Kriwan INT 300 internal 120 V	3806025
Varnish, grey, spray (carton, 6 cans)	RAL 7031	2836898	Module for S-protection (complete for conversion into MP 23)	Kriwan INT 300 internal 230 V	2941852
Capillary tube with gaskets, Cu-ring	2,4 x 0,45 1000 mm length	3808214			
Capillary tube with gaskets, Cu-ring	2,4 x 0,45 1500 mm length	3808225			
Cleaning brushes for WR/K-condensers		2039324			