

---

# DWM COPELAND

---

---

**Spare Parts List for  
Motor Compressors**

---

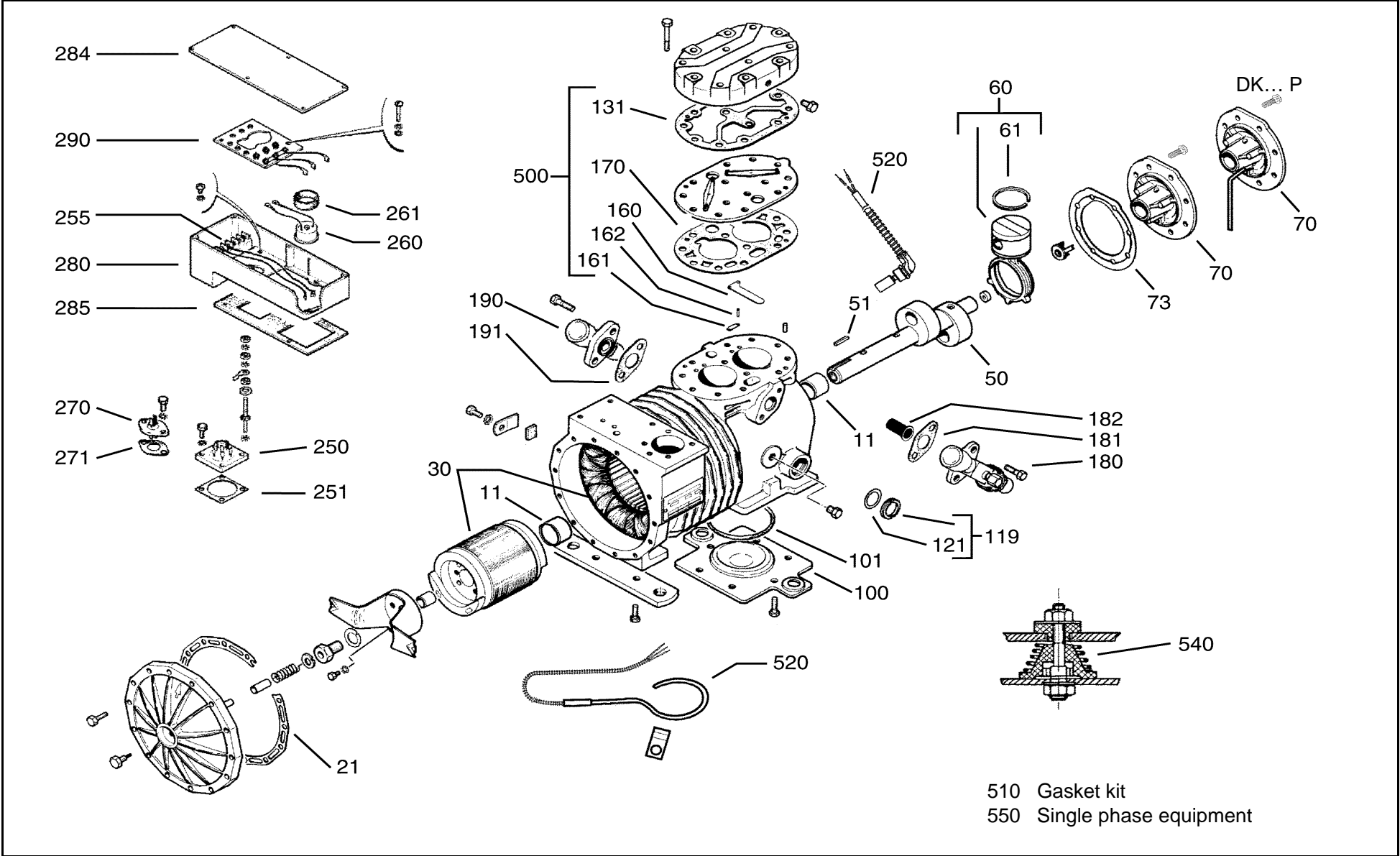
**DK**



**09/03**

# Exploded View of a Motor Compressor

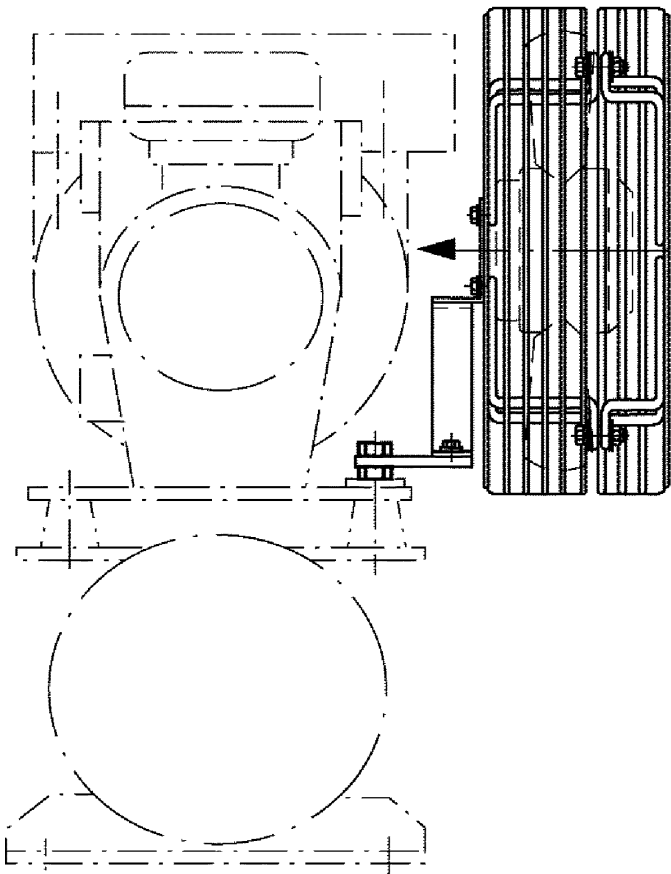
DK



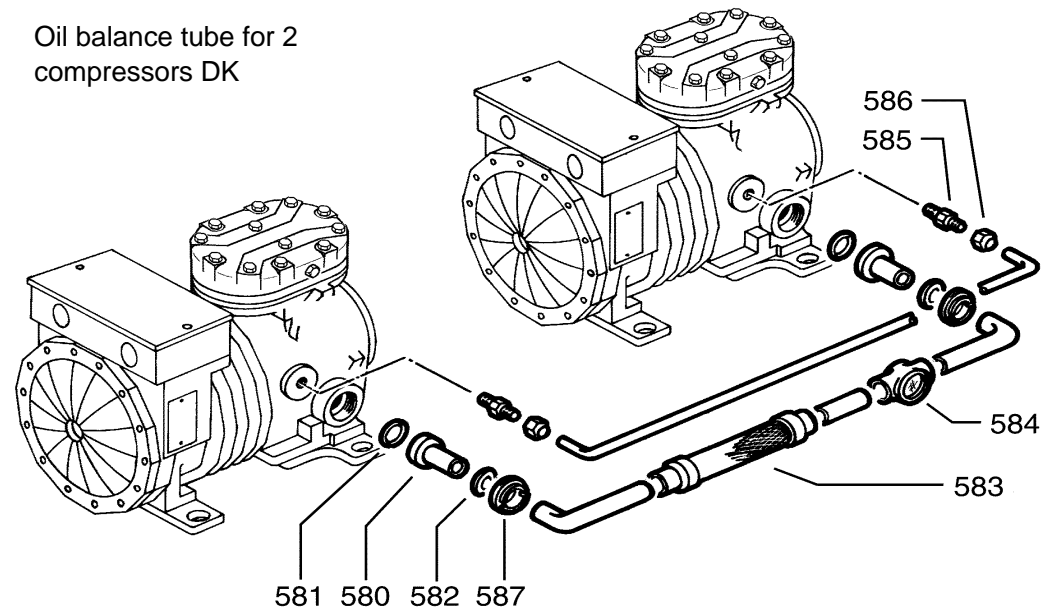
# Exploded View of Accessories

DK

600 Mounting of the horizontal additional fan EBM



Oil balance tube for 2 compressors DK



600 Additional fan 7W

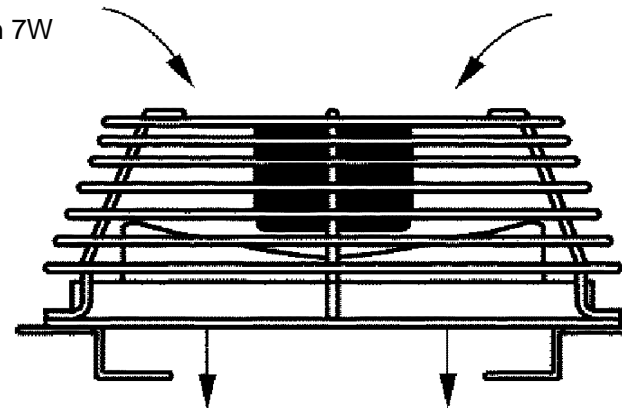


Diagram No.	Description	Part No.	DKB - 33	DKF - 50	DKM* - 50	DKM* - 51	DKMP - 5X	DKM* - 75	DKMP - 7X	DKJ* - 75	DKJP - 7X	DKM* - 100	DKJ* - 100	DKJP - 10X	DKSJ* - 100	DKSJP - 10X	DKL* - 100	DKSL* - 100	DKJ* - 150	DKSJ* - 150	DKSJP - 15X	DKL* - 150	DKLP - 15X	DKSL* - 150	DKSLP - 15X	DKLP - 20X	DKSLP-200	DKSLP-20X	
11	Body main bearing plain, motor- and gear side	2727821			2	2	2	2	2	2	2	2	2	2	2	2	2	2	2	2	2	2	2	2	2	2	2	2	
21	Gasket for stator cover	2727490	1	1	1	1	1	1	1	1	1	1	1	1	1	1	1	1	1	1	1	1	1	1	1	1	1	1	
30	Motor unit 0,5HP CAG	2568335			1		1																						
30	Motor unit 0,75HP CAG	2568415						1	1	1	1																		
30	Motor unit 0,75HP EWL/N	4561216				1	1	1	1	1	1																		
30	Motor unit 0,75HP EWK	4561227				1	1	1	1	1	1																		
30	Motor unit 1HP CAZ, not available anymore	6703385										1																	
30	Motor unit 1HP CAG	2568517											1	1	1	1	1	1											
30	Motor unit 1HP EWL/N	4561841										1	1	1	1	1	1	1											
30	Motor unit 1HP EWK	4561852										1	1	1	1	1	1	1											
30	Motor unit 1,5HP CAZ, not available anymore	6703498																	1										
30	Motor unit 1,5HP CAG	2568619																		1	1	1	1	1	1	1			
30	Motor unit 1,5HP EWL/N	4562413																	1	1	1	1	1	1	1	1			
30	Motor unit 1,5HP EWK	4562424																	1	1	1	1	1	1	1				
30	Motor unit 2HP EWL/N	3112666																								1	1	1	
30	Motor unit 2HP EWK	3112677																								1	1	1	
50	Eccentric shaft	2043076			1	1		1		1		1	1				1		1			1							
50	Eccentric shaft	2947769					1		1		1			1									1			1			
50	Eccentric shaft	2043714													1			1		1				1					
50	Eccentric shaft	2947770														1					1				1				
51	Crankshaft key	2043543			1	1	1	1	1	1	1	1	1	1	1	1	1	1	1	1	1	1	1	1	1	1	1	1	1
51	Distance bushing	2947758					1		1		1			1		1					1		1		1	1	1	1	
60	Piston con-rod assy, 2 pcs per kit	2835884	1																										
60	Piston con-rod assy, 2 pcs per kit	2835895		1																									
60	Piston con-rod assy, 2 pcs per kit	2835908			1	1		1				1																	
60	Piston con-rod assy, 2 pcs per kit	3809626					1		1																				
60	Piston con-rod assy, 2 pcs per kit	2835919								1			1							1									
60	Piston con-rod assy, 2 pcs per kit	3809637									1			1															
60	Piston con-rod assy, 2 pcs per kit	2835920													1						1								
60	Piston con-rod assy, 2 pcs per kit	3809648														1						1							
60	Piston con-rod assy, 2 pcs per kit	2835931															1						1						
60	Piston con-rod assy, 2 pcs per kit	3809659																						1					
60	Piston con-rod assy, 2 pcs per kit	2835942																1							1				
60	Piston con-rod assy, 2 pcs per kit	3809660																								1			
60	Piston con-rod assy, 2 pcs per kit	3117230																									1		
60	Piston con-rod assy, 2 pcs per kit	3112611																									1	1	
61	Piston ring	2918781			2	2	2	2	2			2																	
61	Piston ring	2918792								2	2		2	2	2	2				2	2	2							
61	Piston ring	2918805															2	2					2	2	2	2	2	2	

Diagram No.	Description	Part No.	DKB - 33	DKF - 50	DKM* - 50	DKM* - 51	DKMP - 5X	DKM* - 75	DKMP - 7X	DKJ* - 75	DKJP - 7X	DKM* - 100	DKJ* - 100	DKJP - 10X	DKSJ* - 100	DKSJP - 10X	DKL* - 100	DKSL* - 100	DKJ* - 150	DKSJ* - 150	DKSJP - 15X	DKL* - 150	DKLP - 15X	DKSL* - 150	DKSLP - 15X	DKLP - 20X	DKSLP-200	DKSLP-20X
70	Housing cover alu assy	2988277			1	1																						
70/73	Housing cover with oil pump, oil pick up tube, gasket and screws	3092504					1		1		1			1		1					1		1		1	1	1	1
73	Gasket for housing cover	6602517	1	1																								
73	Gasket for housing cover	2727489			1	1	1	1	1	1	1	1	1	1	1	1	1	1	1	1	1	1	1	1	1	1	1	1
	Gasket for oil pump cover	3000418					1		1		1			1	1						1		1		1	1	1	1
	Oil pick up tube with gaskets until 18.03.2001	2988802					1		1		1			1	1						1		1		1			1
100	Bottom plate	3115201			1	1		1		1		1	1		1		1	1		1		1		1				
100	Modified bottom plate until 18.03.2001	2996090					1		1		1			1	1						1		1		1			1
100	Bottom plate from 19.03.2001	3115201					1		1		1			1	1						1		1		1	1	1	1
101	Gasket for bottom plate	6602506	1	1																								
101	Gasket for bottom plate	2042142			1	1	1	1	1	1	1	1	1	1	1	1	1	1	1	1	1	1	1	1	1	1	1	1
119	Oil sight glass, complete	2834052			1	1	1	1	1	1	1	1	1	1	1	1	1	1	1	1	1	1	1	1	1	1	1	1
121	Gasket for oil sight glass	2043292			1	1	1	1	1	1	1	1	1	1	1	1	1	1	1	1	1	1	1	1	1	1	1	1
131	Gasket for valve plate below cylinder head	3001080	1	1	1	1	1	1	1	1	1	1	1	1	1	1	1	1	1	1	1	1	1	1	1	1	1	1
131/170	Gaskets for valve plate (kit), below cylinder head, below valve plate	2845283	1																									
131/170	Gaskets for valve plate (kit), below cylinder head, below valve plate	2845294		1																								
131/170	Gaskets for valve plate (kit), below cylinder head, below valve plate	2845307			1	1	1	1	1			1																
131/170	Gaskets for valve plate (kit), below cylinder head, below valve plate	2845318								1	1		1	1	1	1			1	1	1							
131/170	Gaskets for valve plate (kit), below cylinder head, below valve plate	2845329															1	1				1	1	1	1	1	1	1
160/161/162	Parts for 1 valve plate: suction valve reed, pad, dowel pin	2836694			1	1	1	1	1	1	1	1	1	1	1	1			1	1	1							
160/161/162	Parts for 1 valve plate: suction valve reed, pad, dowel pin	2836707															1	1				1	1	1	1			
160/161/162	Parts for 1 valve plate: suction valve reed, pad, dowel pin	3112633																								1	1	1
170	Gasket below valve plate	6602551	1																									
170	Gasket below valve plate	6602539		1																								
170	Gasket for valve plate below valve plate	2949594			1	1	1	1	1			1																
170	Gasket for valve plate below valve plate	2949607								1	1		1	1	1	1			1	1	1							
170	Gasket for valve plate below valve plate	2949618															1	1				1	1	1	1	1	1	1
180/181	Suction shut-off valve with gasket, sweat 1/2"	3806672			1	1	1	1	1																			
180/181	Suction shut-off valve with gasket, flare 1/2"	2837006	1	1	1	1	1	1	1																			
180/181	Suction shut-off valve with gasket, sweat 5/8"	3806683								1	1	1	1	1	1	1	1	1	1	1	1	1	1	1	1	1	1	1

Diagram No.	Description	Part No.	DKB - 33	DKF - 50	DKM* - 50	DKM* - 51	DKMP - 5X	DKM* - 75	DKMP - 7X	DKJ* - 75	DKJP - 7X	DKM* - 100	DKJ* - 100	DKJP - 10X	DKSJ* - 100	DKSJP - 10X	DKL* - 100	DKSL* - 100	DKJ* - 150	DKSJ* - 150	DKSJP - 15X	DKL* - 150	DKLP - 15X	DKSL* - 150	DKSLP - 15X	DKLP - 20X	DKSLP-200	DKSLP-20X	
180/181	Suction shut-off valve with gasket, flare 5/8"	2837028																											
181	Gasket for suction shut-off valve	2529947	1	1	1	1	1	1	1	1	1	1	1	1	1	1	1	1	1	1	1	1	1	1	1	1	1	1	1
181/182	Suction screen with gasket	3806694	1	1																									
181/182	Suction screen with gasket	3806707			1	1	1	1	1	1	1	1	1	1	1	1	1	1	1	1	1	1	1	1	1	1	1	1	1
190/191	Discharge shut-off valve with gasket, flare 3/8"	2837017	1	1																									
190/191	Discharge shut-off valve with gasket, sweat 1/2"	3806672			1	1	1	1	1	1	1	1	1	1	1	1	1	1	1	1	1	1	1	1	1	1	1	1	1
190/191	Discharge shut-off valve with gasket, flare 1/2", not available anymore	2837006			1	1	1	1	1	1	1	1	1	1	1	1	1	1	1	1	1	1	1	1	1	1	1	1	1
191	Gasket for suction shut-off valve	2529947	1	1	1	1	1	1	1	1	1	1	1	1	1	1	1	1	1	1	1	1	1	1	1	1	1	1	1
	Shipping plate with gasket and screws (kit), suction side	2846071	1	1	1	1	1	1	1	1	1	1	1	1	1	1	1	1	1	1	1	1	1	1	1	1	1	1	1
	Shipping plate with gasket and screws (kit), discharge side	2846071	1	1	1	1	1	1	1	1	1	1	1	1	1	1	1	1	1	1	1	1	1	1	1	1	1	1	1
250	Fusite, terminal assy 6-pole	2727274			1	1	1	1	1	1	1	1	1	1	1	1	1	1	1	1	1	1	1	1	1	1	1	1	1
251	Gasket for Fusite, terminal assy	2727887			1	1	1	1	1	1	1	1	1	1	1	1	1	1	1	1	1	1	1	1	1	1	1	1	1
255	Module for VW-protection Kriwan INT 69 internal 24 V, DC	2832465				1	1	1	1	1	1	1	1	1	1	1	1	1	1	1	1	1	1	1	1	1	1	1	1
255	Module for VW-protection Kriwan INT 69 internal 24 V	2830367				1	1	1	1	1	1	1	1	1	1	1	1	1	1	1	1	1	1	1	1	1	1	1	1
255	Module for VW-protection Kriwan INT 69 internal 110 V	2830130				1	1	1	1	1	1	1	1	1	1	1	1	1	1	1	1	1	1	1	1	1	1	1	1
255	Module for VW-protection Kriwan INT 69 internal 220 V	2914552				1	1	1	1	1	1	1	1	1	1	1	1	1	1	1	1	1	1	1	1	1	1	1	1
255	Module for VW-protection Kriwan INT 69 internal 200-260 V	2940962				1	1	1	1	1	1	1	1	1	1	1	1	1	1	1	1	1	1	1	1	1	1	1	1
255	Module for VW-protection Kriwan INT 69 external 110 V	2495951				1	1	1	1	1	1	1	1	1	1	1	1	1	1	1	1	1	1	1	1	1	1	1	1
255	Module for VW-protection Kriwan INT 69 external 220 V	2047625				1	1	1	1	1	1	1	1	1	1	1	1	1	1	1	1	1	1	1	1	1	1	1	1
255	Module for VW-protection Kriwan INT 69 external 380 V	2640897				1	1	1	1	1	1	1	1	1	1	1	1	1	1	1	1	1	1	1	1	1	1	1	1
260	Inherent protector CA__	2042722			1		1	1	1																				
260	Inherent protector CA__	2043872								1	1																		
260	Inherent protector CA__	2042619											1	1	1	1													
260	Inherent protector CA__	2043758															1	1											
260	Inherent protector CA__	2043612																		1	1	1	1						
260	Inherent protector CA__	2043894																							1	1			
260	Inherent protector CAZ	3802590	1																										
260	Inherent protector CAZ	3802534		1																									
260	Inherent protector CAZ	6702906										1																	
260	Inherent protector CAZ	6703078																		1	1	1	1	1	1	1			
261	Sleeve for Klixon CA__	2043338			1		1	1	1	1																			
261	Sleeve for Klixon CAZ	3801064	1	1																									
261	Sleeve for Klixon CAZ	6707752										1																	
261	Sleeve for Klixon CAZ	6707763											1	1	1	1	1	1	1	1	1	1	1	1	1	1			
270	Fusite, terminal assy 2-pole	2489656				1	1	1	1	1	1	1	1	1	1	1	1	1	1	1	1	1	1	1	1	1	1	1	1
271	Gasket for Fusite, terminal assy	2946084				1	1	1	1	1	1	1	1	1	1	1	1	1	1	1	1	1	1	1	1	1	1	1	1
280	Terminal box	6706975			1	1	1	1	1	1	1	1	1	1	1	1	1	1	1	1	1	1	1	1	1	1	1	1	1
280/284	Terminal box complete with cover	2839206	1	1																									

Diagram No.	Description	Part No.	DKB - 33	DKF - 50	DKM* - 50	DKM* - 51	DKMP - 5X	DKM* - 75	DKMP - 7X	DKJ* - 75	DKJP - 7X	DKM* - 100	DKJ* - 100	DKJP - 10X	DKSJ* - 100	DKSJP - 10X	DKL* - 100	DKSL* - 100	DKJ* - 150	DKSJ* - 150	DKSJP - 15X	DKL* - 150	DKLP - 15X	DKSL* - 150	DKSLP - 15X	DKLP - 20X	DKSLP-200	DKSLP-20X	
284	Terminal box cover, motor EW_, TW_	2954158				1	1	1	1	1	1	1	1	1	1	1	1	1	1	1	1	1	1	1	1	1	1	1	
284	Terminal box cover, motor CA_, except CAZ	2954169			1		1			1	1				1	1	1	1				1	1	1	1				
284	Terminal box cover, motor CAZ	2954170										1							1	1	1								
284	Terminal box cover, blank w/o wiring diagram	6706986			1	1	1	1	1	1	1	1	1	1	1	1	1	1	1	1	1	1	1	1	1	1	1	1	
285	Gasket for terminal box	6707718			1	1	1	1	1	1	1	1	1	1	1	1	1	1	1	1	1	1	1	1	1	1	1	1	
290	Terminal board assy 1 phase	2950305			1	1	1	1	1	1	1	1	1	1	1	1	1	1	1	1	1	1	1	1	1				
290	Terminal board assy 3 phases	2950327			1	1	1	1	1	1	1	1	1	1	1	1	1	1	1	1	1	1	1	1	1	1	1	1	
500	Valve plate assy	6722839	1	1																									
500	Valve plate assy	2490774			1	1	1	1	1	1	1	1	1	1	1	1	1	1	1	1	1	1	1	1	1				
500	Valve plate assy	3112622																									1	1	1
510	Gasket kit	6722840	1	1																									
510	Gasket kit	2490785			1	1	1	1	1	1	1	1	1	1	1	1	1	1	1	1	1	1	1	1	1	1	1	1	
520	Crankcase heater, external 50 W, 115 V	2728608	1	1	1	1	1	1	1	1	1	1	1	1	1	1	1	1	1	1	1	1	1	1	1	1	1	1	
520	Crankcase heater, external 50 W, 230 V	2497184	1	1	1	1	1	1	1	1	1	1	1	1	1	1	1	1	1	1	1	1	1	1	1	1	1	1	
520	Crankcase heater, external 50 W, 440 V	2822328	1	1	1	1	1	1	1	1	1	1	1	1	1	1	1	1	1	1	1	1	1	1	1	1	1	1	
520	Crankcase heater, internal for body version ... "D, P" and DKB/F 27 W, 200-600 V	2948773	1	1	1	1	1	1	1	1	1	1	1	1	1	1	1	1	1	1	1	1	1	1	1	1	1	1	
	Silicon paste for mounting the crankcase heater for body version ... "D, P" and DKB/F	2942537	1	1	1	1	1	1	1	1	1	1	1	1	1	1	1	1	1	1	1	1	1	1	1	1	1	1	
540	Mounting parts (kit)	2186833	1	1	1	1	1	1	1	1	1	1	1	1	1	1	1	1											
540	Mounting parts (kit)	2187041																	1	1	1	1	1	1	1	1	1	1	
	Mounting rubber (kit)	2954523	1	1	1	1	1	1	1	1	1	1	1	1	1	1	1	1	1	1	1	1	1	1	1	1	1	1	
550	Single phase equipment complete CAZ, not available anymore	6722679	1																										
550	Single phase equipment complete CAZ	6719260		1																									
550	Single phase equipment complete CA_, except CAZ old	2495348			1																								
550	Single phase equipment complete CA_, except CAZ new	2972018			1		1																						
550	Single phase equipment complete CA_, except CAZ old	2495360								1																			
550	Single phase equipment complete CA_, except CAZ new	2972029						1	1	1	1																		
550	Single phase equipment complete CA_, except CAZ old	2495359											1		1														
550	Single phase equipment complete CA_, except CAZ new	2972030											1	1	1	1													
550	Single phase equipment complete CA_, except CAZ old	2495371																1	1										
550	Single phase equipment complete CA_, except CAZ new	2972041																1	1										
550	Single phase equipment complete CA_, except CAZ old	2495382																					1		1				
550	Single phase equipment complete CA_, except CAZ new	2972052																		1	1	1	1	1	1	1			
550	Single phase equipment complete CAZ old	6719204											1																
550	Single phase equipment complete CAZ new	2972290										1																	
550	Single phase equipment complete CAZ old	6719259																	1	1									
550	Single phase equipment complete CAZ new	2972256																	1	1	1	1	1	1	1				

Diagram No.	Description	Part No.	DKB - 33	DKF - 50	DKM* - 50	DKM* - 51	DKMP - 5X	DKM* - 75	DKMP - 7X	DKJ* - 75	DKJP - 7X	DKM* - 100	DKJ* - 100	DKJP - 10X	DKSJ* - 100	DKSJP - 10X	DKL* - 100	DKSL* - 100	DKJ* - 150	DKSJ* - 150	DKSJP - 15X	DKL* - 150	DKLP - 15X	DKSL* - 150	DKSLP - 15X	DKLP - 20X	DKSLP-200	DKSLP-20X
	Run capacitor (single phase equipment) 5 µF, CAZ, old	2965890		1								1																
	Run capacitor (single phase equipment) 5 µF, CAZ, new	2965890										1																
	Run capacitor (single phase equipment) 10 µF, CA__, old	2039675			1																							
	Run capacitor (single phase equipment) 10 µF, CA__, new	2971877			1	1																						
	Run capacitor (single phase equipment) 10 µF, CAZ, old	2971877										1							1	1								
	Run capacitor (single phase equipment) 10 µF, CAZ, new	2971877										1																
	Run capacitor (single phase equipment) 16 µF, CA__, old	2039697								1																		
	Run capacitor (single phase equipment) 16 µF, CA__, new	2965914						1	1	1	1																	
	Run capacitor (single phase equipment) 20 µF, CA__, old	2039711											1		1		1	1										
	Run capacitor (single phase equipment) 20 µF, CA__, new	2971888											1	1	1	1	1	1										
	Run capacitor (single phase equipment) 20 µF, CAZ, new	2971888																	1	1	1	1	1	1	1	1		
	Run capacitor (single phase equipment) 25 µF, CA__, old	2039733																					1	1				
	Run capacitor (single phase equipment) 25 µF, CA__, new	2971899																	1			1	1	1	1	1		
	Start capacitor (single phase equipment) 60 µF, CAZ, new	6722997										1																
	Start capacitor (single phase equipment) 60 µF, CAZ, old	6722997										1	1															
	Start capacitor (single phase equipment) 80 µF, CA__, old (1 piece)	2039653			1					2				2	2													
	Start capacitor (single phase equipment) 80 µF, CA__, new (1 piece)	2039653			1		1	2	2	2	2		2	2	2	2												
	Start capacitor (single phase equipment) 80 µF, CAZ, old	6723003	1																									
	Start capacitor (single phase equipment) 100 µF, CA__, old	2039664											2	2								2		2				
	Start capacitor (single phase equipment) 100 µF, CA__, new (1 piece)	2039664															2	2	2			2	2	2	2			
	Start capacitor (single phase equipment) 100 µF, CAZ, old (1 piece)	6722657																		1	1							
	Start capacitor (single phase equipment) 100 µF, CAZ, new	2039664																	1	1	1	1	1	1	1			
	Start capacitor (single phase equipment) 160 µF, CAZ, old	6722668		1								1							1	1								
	Start capacitor (single phase equipment) 160 µF, CAZ, new	6722668										1							1	1	1	1	1	1	1			
	Control relay (single phase equipment) CA__, old	2039744			1																							
	Control relay (single phase equipment) CA__ new	2971866			1	1																						
	Control relay (single phase equipment) CA__, old	2039755								1			1		1		1	1				1		1				
	Control relay (single phase equipment) CA__ new	2961230						1	1	1	1		1	1	1	1	1	1				1	1	1	1			
	Control relay (single phase equipment) CA__ old	6723047	1																									
	Control relay (single phase equipment) CA__ old	6723014		1								1																
	Control relay (single phase equipment) CAZ new	6723014										1																
	Control relay (single phase equipment) CA__ old	6722964																	1	1								
	Control relay (single phase equipment) CAZ new	6722964																	1	1	1	1	1	1	1	1		
	Box for single phase equipment CAZ	6723025		1																								
	Box and lid for single phase equipment CAZ new	6722975										1							1	1								



Diagram No.	Description	Part No.	DKB - 33	DKF - 50	DKM* - 50	DKM* - 51	DKMP - 5X	DKM* - 75	DKMP - 7X	DKJ* - 75	DKJP - 7X	DKM* - 100	DKJ* - 100	DKJP - 10X	DKSJ* - 100	DKSJP - 10X	DKL* - 100	DKSL* - 100	DKJ* - 150	DKSJ* - 150	DKSJP - 15X	DKL* - 150	DKLP - 15X	DKSL* - 150	DKSLP - 15X	DKLP - 20X	DKSLP-200	DKSLP-20X	
	Box for single phase equipment CAZ new	2963269										1							1	1	1								
	Box for single phase equipment, for a complete box 2 x CA__ old (1 piece)	2051537			2					2			2		2		2	2				2	2						
	Box for single phase equipment CA__ new	2963269			1		1			1	1		1	1	1	1	1	1	1	1	1	1	1	1	1	1			
	Cap for single phase equipment CAZ	6723069	1																										
	Lid for box for single phase equipment CAZ	6723036		1																									
	Lid for box for single phase equipment CA__ new	2971913			1		1			1	1	1	1	1	1	1	1	1	1	1	1	1	1	1	1	1			
	Frame for relay (single phase equipment) CA__ old	2051548			1					1			1		1		1	1				1		1					
580	Pipe socket (1 piece)	2304560			2	2	2	2	2	2	2	2	2	2	2	2	2	2	2	2	2	2	2	2	2	2	2	2	2
581	Gasket for sweat connection (1 piece)	2043292			2	2	2	2	2	2	2	2	2	2	2	2	2	2	2	2	2	2	2	2	2	2	2	2	2
582	Gasket for pipe socket (1 piece)	2912330			2	2	2	2	2	2	2	2	2	2	2	2	2	2	2	2	2	2	2	2	2	2	2	2	2
583	Vibration absorber	2040077			1	1	1	1	1	1	1	1	1	1	1	1	1	1	1	1	1	1	1	1	1	1	1	1	1
584	Oil sight glass SL 18	2341258			1	1	1	1	1	1	1	1	1	1	1	1	1	1	1	1	1	1	1	1	1	1	1	1	1
585	Insert socket 1/8"-27 NPTF (1 piece)	2941363			2	2	2	2	2	2	2	2	2	2	2	2	2	2	2	2	2	2	2	2	2	2	2	2	2
586	Cap nut (1 piece)	2038456			2	2	2	2	2	2	2	2	2	2	2	2	2	2	2	2	2	2	2	2	2	2	2	2	2
587	Retainer for oil sight glass (1 piece)	2240720			2	2	2	2	2	2	2	2	2	2	2	2	2	2	2	2	2	2	2	2	2	2	2	2	2
	Oil and gas equalization line for 1 compressor (pipe socket, gaskets, retainer, insert socket, cap nut)	3106974			1	1	1	1	1	1	1	1	1	1	1	1	1	1	1	1	1	1	1	1	1	1	1	1	1
	Oil regulating system, complete, ALCO OMA TraxOil	OMA-CCB 8526708			1	1	1	1	1	1	1	1	1	1	1	1	1	1	1	1	1	1	1	1	1	1	1	1	1
	Transformer for oil regulating system ALCO OMA TraxOil	ETC-523 8527518			1	1	1	1	1	1	1	1	1	1	1	1	1	1	1	1	1	1	1	1	1	1	1	1	1
600	Additional fan assy, vertical 7 W, 220-1-50	2960760	1	1	1	1	1	1	1	1	1	1	1	1	1	1	1	1	1	1	1	1	1	1	1	1	1	1	1
600	Additional fan assy, horizontal 220-1-50/60 EBM	2979984	1	1	1	1	1	1	1	1	1	1	1	1	1	1	1	1	1	1	1	1	1	1	1	1	1	1	1
601	Motor for additional fan 7 W, 220-1-50	2841816	1	1	1	1	1	1	1	1	1	1	1	1	1	1	1	1	1	1	1	1	1	1	1	1	1	1	1
602	Fan blade for additional fan 7 W, 7 1/2"	2841792	1	1	1	1	1	1	1	1	1	1	1	1	1	1	1	1	1	1	1	1	1	1	1	1	1	1	1
603	Fan guard for additional fan, please order cover if you need the complete guard 7 W	2841827	1	1	1	1	1	1	1	1	1	1	1	1	1	1	1	1	1	1	1	1	1	1	1	1	1	1	1
	Cover for fan guard for additional fan, please order both parts if you need the complete guard 7 W	2841838	1	1	1	1	1	1	1	1	1	1	1	1	1	1	1	1	1	1	1	1	1	1	1	1	1	1	1
	Bolt for cover fan guard 7 W (1 piece)	2917186	4	4	4	4	4	4	4	4	4	4	4	4	4	4	4	4	4	4	4	4	4	4	4	4	4	4	4
	Washer for cover fan guard 7 W (1 piece)	2449652	4	4	4	4	4	4	4	4	4	4	4	4	4	4	4	4	4	4	4	4	4	4	4	4	4	4	4
	Nut for cover fan guard 7 W (1 piece)	2449889	4	4	4	4	4	4	4	4	4	4	4	4	4	4	4	4	4	4	4	4	4	4	4	4	4	4	4
610	Fixing screw for additional fan 7 W (1 piece)	2040715	4	4	4	4	4	4	4	4	4	4	4	4	4	4	4	4	4	4	4	4	4	4	4	4	4	4	4
610	Mounting kit for additional fan EBM	2979973	1	1	1	1	1	1	1	1	1	1	1	1	1	1	1	1	1	1	1	1	1	1	1	1	1	1	1

<b>Miscellaneous</b>					
<b>Item</b>	<b>Specification</b>	<b>Part Number</b>	<b>Item</b>	<b>Specification</b>	<b>Part Number</b>
Adapter	1/8" - 27 NPTF	2059791	Waterhose	1/2"	2486102
Adapter	1/4" - 18 NPTF	2038650	Waterhose	1"	2487569
Angle adapter	1/4" - 18 NPTF	2038956	Worm drive hose clip for waterhose	1/2"	2486113
T-adapter	1/8" - 27 NPTF	2059780	Worm drive hose clip for waterhose	1"	2487570
T-adapter	1/4" - 18 NPTF	2059779	Oil separator	OS-16	2981265
T-adapter for oil pressure safety switch	1/4" - 18 NPTF	2039993	Oil separator	OS-22 F	3097941
Schrader valve	1/8" - 27 NPTF	2051117	Oil separator	OS-28 F	2946482
Schrader valve	1/4" - 18 NPTF	2830696	Socket wrench for Torx-screw (rod)	1/2" - Drive	2455275
Schrader valve - T	1/8" - 27 NPTF	2048797	Sight glass key DK, DL, DN (except DN..2)		2831213
Connection for Schrader valve		2502400	Key for sight glass retainer for oil balance DK, DL, DN (except DN..2)	DK, DL, DN (except DN..2)	2831462
Loctite (tube 50 cm3)	Loctite 572	2195148	Screw plug	1/8" - 27 NPTF	2043156
Refrigeration-oil (can 1 l)	SHELL 22-12	2190814	Screw plug	1/4" - 18 NPTF	2045685
Refrigeration-oil (can 4 l)	Suniso 3 GS	3103953	Screw plug	3/8" - 18 NPTF	2040997
Refrigeration-oil (can 3 l)	ALKYLAT 150 DT	2834234	Screw plug	1/2" - 14 NPTF	2856027
Refrigeration-oil (can 1 US quart, appr. 0,946 l)	Mobil EAL ARCTIC 22 CC	3808203	Screw plug for liquid receiver and WR/K-receiver	1/2" - 14 NPTF Ms	2976838
Refrigeration-oil (can 1 US gallone, appr. 3,8 l)	Mobil EAL ARCTIC 22 CC	3808190	Liquid receiver, special horizontal design	13 l for DK	2479699
Refrigeration-oil (can 1 l)	ICI EMKARATE RL 32 CF	3808112	Liquid receiver, special horizontal design	23 l for DL, DN, DM, D2	2479702
Refrigeration-oil (can 5 l)	ICI EMKARATE RL 32 CF	3808123	Liquid receiver, special horizontal design	D3, D9, D4, D6	2479713
Refrigeration-oil (canister 25 l)	ICI EMKARATE RL 32 CF	3808134	Hand-refractometer	998-RMET-00	8024575
Varnish, grey (can 1 kg)	RAL 7031	2641141	Module for S-protection (complete for conversion into MP 23)	Kriwan INT 300 internal 120 V	3806025
Varnish, grey, spray (carton, 6 cans)	RAL 7031	2836898	Module for S-protection (complete for conversion into MP 23)	Kriwan INT 300 internal 230 V	2941852
Capillary tube with gaskets, Cu-ring	2,4 x 0,45 1000 mm length	3808214			
Capillary tube with gaskets, Cu-ring	2,4 x 0,45 1500 mm length	3808225			
Cleaning brushes for WR/K-condensers		2039324			