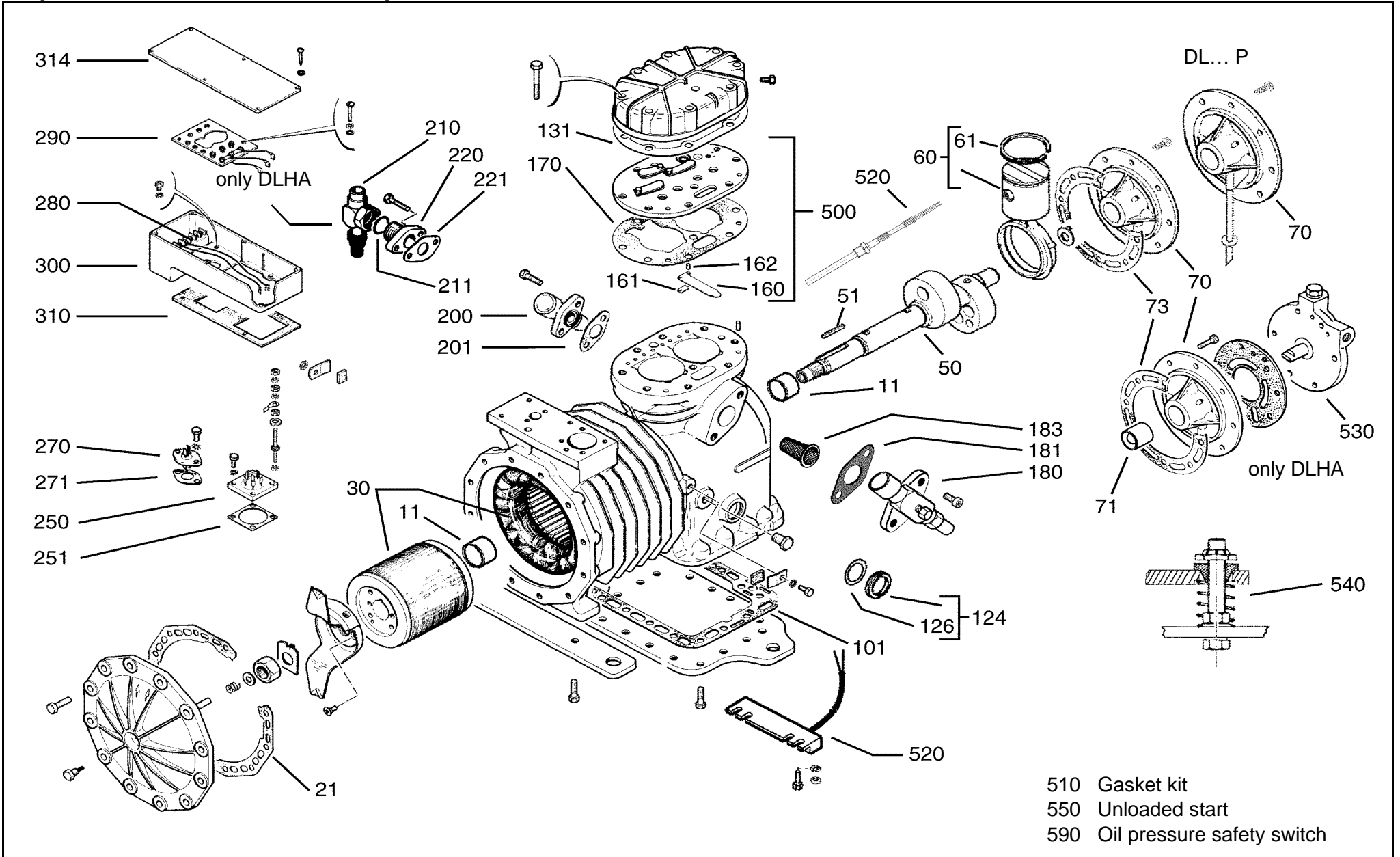


Exploded View of a Motor Compressor

DL

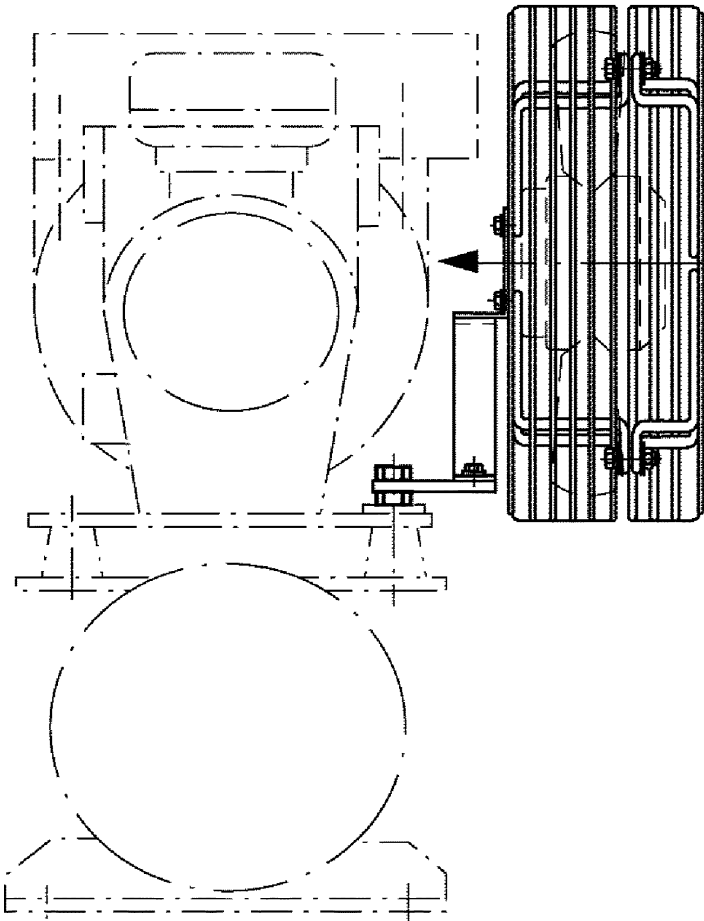


- 510 Gasket kit
- 550 Unloaded start
- 590 Oil pressure safety switch

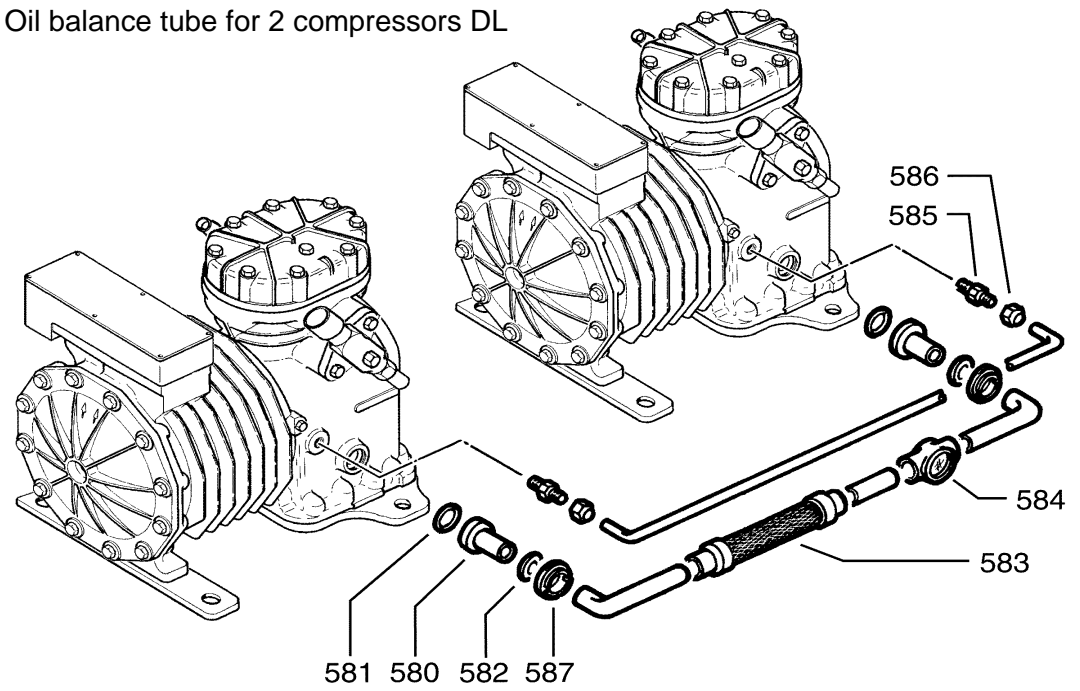
Exploded Views of Accessories

DL

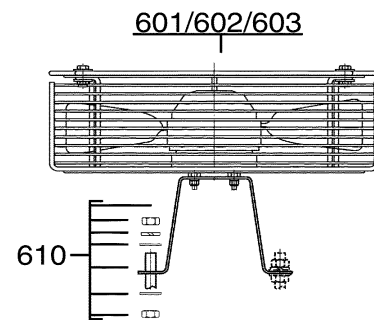
600 Mounting of horizontal fan EBM



Oil balance tube for 2 compressors DL



600 Additional fan EBM 75 Z



600 Additional fan

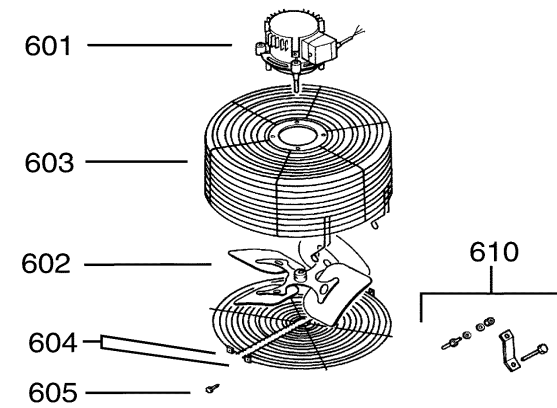


Diagram No.	Description	Part No.	DLEB - 201	DLED/E - 201	DLEP - 20X	DLFA/B - 201	DLFD/E - 201	DLFP - 20X	DLJD/E - 201	DLJP - 20X	DLL* - 201	DLLP - 20X	DLFD/E - 301	DLFP - 30X	DLJD/E - 301	DLJP - 30X	DLL* - 301	DLLP - 30X	DLSG* - 301	DLSGP - 30X	DLL* - 401	DLLP - 40X	DLSG* - 401	DLSGP - 40X	DLHA - 500	DLHA - 50X	DLHA1 - 500	DLHA1 - 50X
11	Body main bearing plain, motor- and gear side	2488028	2	2	2	2	2	2	2	2	2	2	2	2	2	2	2	2	2	2	2	2	2	2	2	2	2	2
21	Gasket for stator cover	2525138	1	1	1	1	1	1	1	1	1	1	1	1	1	1	1	1	1	1	1	1	1	1	1	1	1	1
30	Motor unit 2HP EWL/N	2568777	1	1	1	1	1	1	1	1	1	1	1	1	1	1	1	1	1	1	1	1	1	1	1	1	1	1
30	Motor unit 2HP EWK	2568813	1	1	1	1	1	1	1	1	1	1																
30	Motor unit 3HP EWL/N	2568857											1	1	1	1	1	1	1	1	1							
30	Motor unit 3HP EWM/D	2568868											1	1	1	1	1	1	1	1	1							
30	Motor unit 3HP EWK	2568891											1	1	1	1	1	1	1	1	1							
30	Motor unit 4HP EWL	2569805																			1	1	1	1				
30	Motor unit 4HP EWM	2568982																			1	1	1	1				
30	Motor unit 6,5HP EWM/D	3112371																							1	1	1	1
30	Motor unit 6,5HP EWL	3112360																							1	1	1	1
30	Motor unit 6,5HP EWK	3112359																							1	1	1	1
50	Eccentric shaft	2045049	1	1		1	1		1		1		1		1		1				1							
50	Eccentric shaft	2941352			1			1		1		1		1		1		1				1						
50	Eccentric shaft	2912783																	1				1					
50	Eccentric shaft	2941250																		1				1				
50	Crankshaft	6721358																			1			1		1	1	1
51	Crankshaft key	2297339	1	1	1	1	1	1	1	1	1	1	1	1	1	1	1	1	1	1	1	1	1	1	1			
51	Crankshaft key	2977057																							1	1	1	1
51	Distance plate	6000020			1			1		1		1		1		1		1		1		1		1				
60	Piston con-rod assy, 2 pcs per kit	2835953	1	1																								
60	Piston con-rod assy, 2 pcs per kit	3809671			1																							
60	Piston con-rod assy, 2 pcs per kit, not available anymore	2835975				1																						
60	Piston con-rod assy, 2 pcs per kit	2835986					1						1															
60	Piston con-rod assy, 2 pcs per kit	3809682						1					1															
60	Piston con-rod assy, 2 pcs per kit	2835964							1						1													
60	Piston con-rod assy, 2 pcs per kit	3809693								1						1												
60	Piston con-rod assy, 2 pcs per kit	2835997									1						1					1						
60	Piston con-rod assy, 2 pcs per kit	3809706										1						1					1					
60	Piston con-rod assy, 2 pcs per kit	2836003																	1					1				
60	Piston con-rod assy, 2 pcs per kit	3809717																			1			1				
60	Piston con-rod assy, 2 pcs per kit	6720491																						1	1	1	1	1
61	Piston ring	2918816	2	2	2																							
61	Piston ring	2918827				2	2	2					2	2														
61	Piston ring	2975379							2	2					2	2												
61	Piston ring	2918849								2	2						2	2				2	2					
61	Piston ring	2918850																	2	2			2	2	2	2	2	2
70	Housing cover alu assy	2988288	1	1		1	1		1		1		1		1		1		1		1		1					

Diagram No.	Description	Part No.	DLEB - 201	DLED/E - 201	DLEP - 20X	DLFA/B - 201	DLFD/E - 201	DLFP - 20X	DLJD/E - 201	DLJP - 20X	DLL* - 201	DLLP - 20X	DLFD/E - 301	DLFP - 30X	DLJD/E - 301	DLJP - 30X	DLL* - 301	DLLP - 30X	DLSG* - 301	DLSGP - 30X	DLL* - 401	DLLP - 40X	DLSG* - 401	DLSGP - 40X	DLHA - 500	DLHA - 50X	DLHA1 - 500	DLHA1 - 50X	
70	Housing cover with bearing CAUTION! If the housing cover has to be exchanged, conversions kit 3112064 (housing cover with bushing, oil pump, gaskets) must be ordered.	6709292																							1	1			
70	Housing cover with bearing	3112053																									1	1	
70/73	Housing cover with oil pump, gasket and screws	3092515			1			1		1		1		1		1		1		1		1		1					
71	Bearing for housing cover	6709327																							1	1	1	1	
73	Gasket for housing cover	2948693	1	1	1	1	1	1	1	1	1	1	1	1	1	1	1	1	1	1	1	1	1	1	1	1	1	1	
81	Gasket for oil pump	6602642																							1	1			
81	Gasket for oil pump	2993488																									1	1	
	Gasket, O-ring for oil pump CONCENTRIC	2830754																							1	1			
	Gasket, O-ring for oil pump IOPS, OPS1/SENTRONIC	2947601																									1	1	
	Gasket for oil pump cover	2959880			1			1		1		1		1		1		1		1		1		1					
	Oil pick up tube with gaskets	2988982			1			1		1		1		1		1		1		1		1		1					
101	Gasket for bottom plate	2729383	1	1	1	1	1	1	1	1	1	1	1	1	1	1	1	1	1	1	1	1	1	1	1	1	1	1	1
110	Oil screen with gasket	2846139																							1	1	1	1	
124	Oil sight glass, complete	2834052	1	1	1	1	1	1	1	1	1	1	1	1	1	1	1	1	1	1	1	1	1	1	1	1	1	1	1
126	Gasket for oil sight glass	2043292	1	1	1	1	1	1	1	1	1	1	1	1	1	1	1	1	1	1	1	1	1	1	1	1	1	1	1
131	Gasket for valve plate below cylinder head, not available anymore	6602528	1			1																							
131	Gasket for valve plate below cylinder head	2915168		1	1		1	1	1	1	1	1	1	1	1	1	1	1	1	1	1	1	1	1	1	1	1	1	1
131/170	Gaskets for valve plate (kit), below cylinder head, below valve plate, not available anymore	2845330	1																										
131/170	Gaskets for valve plate (kit), below cylinder head, below valve plate, not available anymore	2845341		1	1																								
131/170	Gaskets for valve plate (kit), below cylinder head, below valve plate, not available anymore	2845363				1																							
131/170	Gaskets for valve plate (kit), below cylinder head, below valve plate, not available anymore	2845374					1	1					1	1															
131/170	Gaskets for valve plate (kit), below cylinder head, below valve plate, not available anymore	2845352							1	1					1	1													
131/170	Gaskets for valve plate (kit), below cylinder head, below valve plate, not available anymore	2845385								1	1						1	1				1	1						
131/170	Gaskets for valve plate (kit), below cylinder head, below valve plate, not available anymore	2845396																	1	1			1	1					
131/170	Gaskets for valve plate (kit), below cylinder head, below valve plate, not available anymore	3092582																							1	1	1	1	
160/161/162	Parts for 1 valve plate: suction valve reed, pad, dowel pin	2836718	1	1	1																								
160/161/162	Parts for 1 valve plate: suction valve reed, pad, dowel pin	2836729				1	1	1	1	1			1	1	1														
160/161/162	Parts for 1 valve plate: suction valve reed, pad, dowel pin	2836730									1	1					1	1	1	1	1	1	1	1					
160/161/162	Parts for 1 valve plate: suction valve reed, pad, dowel pin	3092593																							1	1	1	1	
170	Gasket below valve plate, not available anymore	2953575	1																										
170	Gasket for valve plate below valve plate	2949709		1	1																								
170	Gasket for valve plate below valve plate	2953622				1																							

Diagram No.	Description		Part No.	DLEB - 201	DLED/E - 201	DLEP - 20X	DLFAB - 201	DLFD/E - 201	DLFP - 20X	DLJD/E - 201	DLJP - 20X	DLL* - 201	DLLP - 20X	DLFD/E - 301	DLFP - 30X	DLJD/E - 301	DLJP - 30X	DLL* - 301	DLLP - 30X	DLSG* - 301	DLSGP - 30X	DLL* - 401	DLLP - 40X	DLSG* - 401	DLSGP - 40X	DLHA - 500	DLHA - 50X	DLHA1 - 500	DLHA1 - 50X		
170	Gasket for valve plate below valve plate		2949710					1	1					1	1																
170	Gasket for valve plate below valve plate		2949721							1	1					1	1														
170	Gasket for valve plate below valve plate		2949732									1	1									1	1								
170	Gasket for valve plate below valve plate		2949743																		1	1			1	1					
170	Gasket for valve plate below valve plate		2982111																								1	1	1	1	
180/181	Suction shut-off valve with gasket, sweat 7/8"		2837039	1	1	1	1	1	1	1	1	1	1																		
180/181	Suction shut-off valve with gasket, sweat 1 1/8"		2837040											1	1	1	1	1	1	1	1	1	1	1	1	1	1	1	1	1	
181	Gasket for suction shut-off valve for obsolete models		2949765	1			1					1																			
181	Gasket for suction shut-off valve		2963043	1	1	1	1	1	1	1	1	1	1	1	1	1	1	1	1	1	1	1	1	1	1	1	1	1	1	1	
181/183	Suction screen with gasket		3806718	1	1	1	1	1	1	1	1	1	1	1	1	1	1	1	1	1	1	1	1	1	1	1	1	1	1	1	
200/201	Discharge shut-off valve with gasket, sweat 5/8"		3806683	1	1	1	1	1	1	1	1	1	1	1	1	1	1	1	1	1	1	1	1	1	1	1					
200/201	Discharge shut-off valve with gasket, flare 5/8"		2837028	1	1		1	1		1		1		1		1		1		1		1		1							
200/201	Discharge shut-off valve with gasket, sweat 7/8"	1 1/4" - 12, I.D. 7/8"	2837164																								1	1	1	1	
201	Gasket for discharge shut-off valve		2529947	1	1	1	1	1	1	1	1	1	1	1	1	1	1	1	1	1	1	1	1	1	1	1					
201	Gasket for discharge shut-off valve		2495939																								1	1	1	1	
	Shipping plate with gasket and screws (kit), suction side		2846082	1	1	1	1	1	1	1	1	1	1	1	1	1	1	1	1	1	1	1	1	1	1	1	1	1	1	1	
	Shipping plate with gasket and screws (kit), discharge side		2846071	1	1	1	1	1	1	1	1	1	1	1	1	1	1	1	1	1	1	1	1	1	1	1	1	1	1	1	1
220	Mounting adapter for Rotalock valve		2989087																								1	1	1	1	
221	Gasket for mounting adapter Rotalock valve		2529947																								1	1	1	1	
250	Fusite, terminal assy 6-pole		2727274	1	1	1	1	1	1	1	1	1	1	1	1	1	1	1	1	1	1	1	1	1	1	1	1	1	1	1	
251	Gasket for Fusite, terminal assy		2727887	1	1	1	1	1	1	1	1	1	1	1	1	1	1	1	1	1	1	1	1	1	1	1	1	1	1	1	
270	Fusite, terminal assy 2-pole		2489656	1	1	1	1	1	1	1	1	1	1	1	1	1	1	1	1	1	1	1	1	1	1	1	1	1	1	1	
271	Gasket for Fusite, terminal assy		2946084	1	1	1	1	1	1	1	1	1	1	1	1	1	1	1	1	1	1	1	1	1	1	1	1	1	1	1	
280	Module for VW-protection Kriwan INT 69 internal 24 V, DC		2832465	1	1	1	1	1	1	1	1	1	1	1	1	1	1	1	1	1	1	1	1	1	1	1	1	1	1	1	
280	Module for VW-protection Kriwan INT 69 internal 24 V		2830367	1	1	1	1	1	1	1	1	1	1	1	1	1	1	1	1	1	1	1	1	1	1	1	1	1	1	1	
280	Module for VW-protection Kriwan INT 69 internal 110 V		2830130	1	1	1	1	1	1	1	1	1	1	1	1	1	1	1	1	1	1	1	1	1	1	1	1	1	1	1	
280	Module for VW-protection Kriwan INT 69 internal 220 V		2914552	1	1	1	1	1	1	1	1	1	1	1	1	1	1	1	1	1	1	1	1	1	1	1	1	1	1	1	
280	Module for VW-protection Kriwan INT 69 internal 200-260 V		2940962	1	1	1	1	1	1	1	1	1	1	1	1	1	1	1	1	1	1	1	1	1	1	1	1	1	1	1	
280	Module for VW-protection Kriwan INT 69 external 110 V		2495951	1	1	1	1	1	1	1	1	1	1	1	1	1	1	1	1	1	1	1	1	1	1	1	1	1	1	1	
280	Module for VW-protection Kriwan INT 69 external 220 V		2047625	1	1	1	1	1	1	1	1	1	1	1	1	1	1	1	1	1	1	1	1	1	1	1	1	1	1	1	
280	Module for VW-protection Kriwan INT 69 external 380 V		2640897	1	1	1	1	1	1	1	1	1	1	1	1	1	1	1	1	1	1	1	1	1	1	1	1	1	1	1	
290	Terminal board assy		2950327	1	1	1	1	1	1	1	1	1	1	1	1	1	1	1	1	1	1	1	1	1	1	1	1	1	1	1	
300	Terminal box		6706975	1	1	1	1	1	1	1	1	1	1	1	1	1	1	1	1	1	1	1	1	1	1	1	1	1	1	1	
310	Gasket for terminal box		6707718	1	1	1	1	1	1	1	1	1	1	1	1	1	1	1	1	1	1	1	1	1	1	1	1	1	1	1	
314	Terminal box cover, motor EW_, TW_		2954158	1	1	1	1	1	1	1	1	1	1	1	1	1	1	1	1	1	1	1	1	1	1	1	1	1	1	1	
314	Terminal box cover, blank w/o wiring diagram		6706986	1	1	1	1	1	1	1	1	1	1	1	1	1	1	1	1	1	1	1	1	1	1	1	1	1	1	1	
500	Valve plate assy, not available anymore		2488788	1																											
500	Valve plate assy		2830345		1	1		1	1	1	1			1	1	1	1														
500	Valve plate assy, not available anymore		2490810				1																								

Diagram No.	Description	Part No.	DLEB - 201	DLED/E - 201	DLEP - 20X	DLFA/B - 201	DLFD/E - 201	DLFP - 20X	DLJD/E - 201	DLJP - 20X	DLL* - 201	DLLP - 20X	DLFD/E - 301	DLFP - 30X	DLJD/E - 301	DLJP - 30X	DLL* - 301	DLLP - 30X	DLSG* - 301	DLSGP - 30X	DLL* - 401	DLLP - 40X	DLSG* - 401	DLSGP - 40X	DLHA - 500	DLHA - 50X	DLHA1 - 500	DLHA1 - 50X
500	Valve plate assy	2490843									1	1					1	1										
500	Valve plate assy	3092606																							1	1	1	1
510	Gasket kit	2488802	1	1	1																							
510	Gasket kit	2830685						1	1						1	1												
510	Gasket kit	2490832				1	1	1			1	1	1	1			1	1	1	1	1	1	1	1				
510	Gasket kit	3092617																							1	1	1	1
520	Crankcase heater, external 65 W, 120 V	4577431	1	1	1	1	1	1	1	1	1	1	1	1	1	1	1	1	1	1	1	1	1	1	1	1	1	1
520	Crankcase heater, external 65 W, 230 V	4577420	1	1	1	1	1	1	1	1	1	1	1	1	1	1	1	1	1	1	1	1	1	1	1	1	1	1
520	Crankcase heater, external 65 W, 480 V	4577442	1	1	1	1	1	1	1	1	1	1	1	1	1	1	1	1	1	1	1	1	1	1	1	1	1	1
520	Crankcase heater, internal 70 W, 115 V for model variation... "E",	2834370		1	1		1	1	1	1	1	1	1	1	1	1	1	1	1	1	1	1	1	1	1	1	1	1
520	Crankcase heater, internal 70 W, 230 V for model variation... "E",	2834369		1	1		1	1	1	1	1	1	1	1	1	1	1	1	1	1	1	1	1	1	1	1	1	1
	Silicon paste for mounting the crankcase heater, for model variation... "E", "P"	2942537		1	1		1	1	1	1	1	1	1	1	1	1	1	1	1	1	1	1	1	1	1	1	1	1
530	Oil pump assy CAUTION! If the oil pump has to be exchanged, coversion kit 3112064 (oil pump, housing cover with bushing, gaskets) must be ordered.	3092628																							1	1		
530	Oil pump assy	2832761																									1	1
540	Mounting parts (kit)	2188340	1	1	1	1	1	1	1	1	1	1	1	1	1	1	1	1	1	1								
540	Mounting parts (kit)	2188475																			1	1	1	1	1	1	1	1
	Rubber mounting parts (kit)	2933266	1	1	1	1	1	1	1	1	1	1	1	1	1	1	1	1	1	1	1	1	1	1	1	1	1	1
550	Unloaded start w/o check valve with solenoid coil, 24 V, DC Danfoss	3808781																							1	1	1	1
550	Unloaded start w/o check valve with solenoid coil 24 V, 50 Hz Danfoss	3808770																							1	1	1	1
550	Unloaded start w/o check valve with solenoid coil 110 V, 50/60 Hz Danfoss	3808769																							1	1	1	1
550	Unloaded start w/o check valve with solenoid coil 220 V, 50/60 Hz Danfoss	3808758																							1	1	1	1
552	Unloaded start (piping assy), w/o solenoid coil, w/o gasket,	2987218																							1	1	1	1
553	Solenoid coil for unloaded start 24 V, DC Danfoss	2943949																							1	1	1	1
553	Solenoid coil for unloaded start 24 V, 50 Hz Danfoss	2940257																							1	1	1	1
553	Solenoid coil for unloaded start 110 V, 50/60 Hz Danfoss	2940246																							1	1	1	1
553	Solenoid coil for unloaded start 220 V, 50/60 Hz Danfoss	2940235																							1	1	1	1
554	Gasket for flange suction side (1 piece)	2963043																							2	2	2	2
555	Gasket for flange discharge side (1 piece)	2949765																							2	2	2	2
556	Hex screw, suction side 1/2"-13 UNC x 2 1/4" (1 piece)	3058075																							2	2	2	2
557	Socket screw, discharge side 5/16"-18 UNC x 2" (1 piece)	2486500																							2	2	2	2
558	Check valve 22 mm NRV 22 S	2946891																							1	1	1	1
558	Check valve with a stronger spring for Tandem-compressors and parallel systems 22 mm NR VH 22 S	2952243																							1	1	1	1

Diagram No.	Description	Part No.	DLEB - 201	DLED/E - 201	DLEP - 20X	DLFA/B - 201	DLFD/E - 201	DLFP - 20X	DLJD/E - 201	DLJP - 20X	DLL* - 201	DLLP - 20X	DLFD/E - 301	DLFP - 30X	DLJD/E - 301	DLJP - 30X	DLL* - 301	DLLP - 30X	DLSG* - 301	DLSGP - 30X	DLL* - 401	DLLP - 40X	DLSG* - 401	DLSGP - 40X	DLHA - 500	DLHA - 50X	DLHA1 - 500	DLHA1 - 50X
580	Pipe socket (1 piece)	2304560	2	2	2	2	2	2	2	2	2	2	2	2	2	2	2	2	2	2	2	2	2	2	2	2	2	2
581	Gasket for sweat connection (1 piece)	2043292	2	2	2	2	2	2	2	2	2	2	2	2	2	2	2	2	2	2	2	2	2	2	2	2	2	2
582	Gasket for pipe socket (1 piece)	2912330	2	2	2	2	2	2	2	2	2	2	2	2	2	2	2	2	2	2	2	2	2	2	2	2	2	2
583	Vibration absorber	2040077	1	1	1	1	1	1	1	1	1	1	1	1	1	1	1	1	1	1	1	1	1	1	1	1	1	1
584	Oil sight glass SL 18	2341258	1	1	1	1	1	1	1	1	1	1	1	1	1	1	1	1	1	1	1	1	1	1	1	1	1	1
585	Insert socket 1/4"-18 NPTF (1 piece)	2063909	2	2	2	2	2	2	2	2	2	2	2	2	2	2	2	2	2	2	2	2	2	2	2	2	2	2
586	Cap nut (1 piece)	2038456	2	2	2	2	2	2	2	2	2	2	2	2	2	2	2	2	2	2	2	2	2	2	2	2	2	2
587	Retainer for oil sight glass (1 piece)	2240720	2	2	2	2	2	2	2	2	2	2	2	2	2	2	2	2	2	2	2	2	2	2	2	2	2	2
	Oil and gas equalization line for 1 compressor (pipe socket, gaskets, retainer, insert socket, cap nut)	3106963	1	1	1	1	1	1	1	1	1	1	1	1	1	1	1	1	1	1	1	1	1	1	1	1	1	1
	Oil regulating system, complete, ALCO OMA TraxOil	OMA-CCB	8526708	1	1	1	1	1	1	1	1	1	1	1	1	1	1	1	1	1	1	1	1	1	1	1	1	1
	Transformer for oil regulating system ALCO OMA TraxOil	ETC-523	8527518	1	1	1	1	1	1	1	1	1	1	1	1	1	1	1	1	1	1	1	1	1	1	1	1	1
	Oil pressure safety switch complete (sensor, electronic switch and PG-screw connections) 115 V, 50/60 Hz OPS1	115 V, 50/60 Hz	3115825																								1	1
	Oil pressure safety switch complete (sensor, electronic switch and PG-screw connections) 230 V, 50/60 Hz OPS1	230 V, 50/60 Hz	3112257																								1	1
590	Oil pressure safety switch with bracket and 2 capillary tubes ALCO CONTROLS		2834621																							1	1	1
590	Oil pressure safety switch with bracket and two capillary tubes for unloaded start ALCO CONTROLS		2987923																							1	1	1
590	Oil pressure safety switch with bracket and sensor SENTRONIC+ NEW		2952221																								1	1
	Electronic switch 115 V, 50/60 Hz OPS1 (CAUTION! For initial installation order 3115814, including PG-screw connections)	115 V, 50/60 Hz	3115803																								1	1
	Electronic switch 230 V, 50/60 Hz OPS1 (CAUTION! For initial installation order 3112462, including PG-screw connections)	230 V, 50/60 Hz	3110795																								1	1
591	Oil pressure safety switch, w/o bracket, w/o capillary tubes ALCO CONTROLS		2966622																							1	1	1
591	Oil pressure safety switch with bracket and sensor SENTRONIC+ NEW (Caution! Obsolete and new SENTRONIC parts, e.g. obsolete module with new sensor, must not be used commonly)		3127822																								1	1
591/593	Oil pressure safety switch with flare connection, w/o bracket ALCO CONTROLS		2942300																							1	1	1
592	Bracket for oil pressure safety switch ALCO CONTROLS		2987503																							1	1	1
592	Bracket for oil pressure safety switch SENTRONIC		2951864																								1	1
593	Capillary tube for oil pressure safety switch with gaskets, Cu-ring ALCO CONTROLS (1 piece)		3808214																							2	2	2
594	Gasket, Cu-ring ALCO CONTROLS (1 piece)		2974343																							4	4	4
	Sensor with gaskets OPS1		3110784																								1	1

Diagram No.	Description	Part No.	DLEB - 201	DLED/E - 201	DLEP - 20X	DLFA/B - 201	DLFD/E - 201	DLFP - 20X	DLJD/E - 201	DLJP - 20X	DLL* - 201	DLLP - 20X	DLFD/E - 301	DLFP - 30X	DLJD/E - 301	DLJP - 30X	DLL* - 301	DLLP - 30X	DLSG* - 301	DLSGP - 30X	DLL* - 401	DLLP - 40X	DLSG* - 401	DLSGP - 40X	DLHA - 500	DLHA - 50X	DLHA1 - 500	DLHA1 - 50X	
	Sensor with gaskets SENTRONIC+ NEW (Caution! Obsolete and new SENTRONIC parts, e.g. obsolete module with new sensor, must be used commonly)	3107046																									1	1	
	Gasket, O-ring for sensor OPS1/SENTRONIC	2944124																										1	1
	Gasket, circular for sensor OPS1	3112586																										1	1
	Gasket, circular for sensor SENTRONIC	2951831																										1	1
	PG-screw connection (kit) OPS1	3112348																										1	1
	Protection cap for reset button OPS1	3112268																										1	1
	Extension cable 3,6 m SENTRONIC+ NEW (Caution! Obsolete and new SENTRONIC parts, e.g. obsolete module with new sensor, must not be used commonly)	3107035																										1	1
600	Additional fan assy, horizontal, 220-1-50/60 EBM	2979984	1	1	1	1	1	1	1	1	1	1	1	1	1	1	1	1	1	1	1	1	1	1	1	1	1		
600	Additional fan assy, vertical 220-1-50/60 EBM	2987467	1	1	1	1	1	1	1	1	1	1	1	1	1	1	1	1	1	1	1	1	1	1	1	1	1	1	1
600	Additional fan assy, vertical 220/380-3-50/60 EBM	2987456	1	1	1	1	1	1	1	1	1	1	1	1	1	1	1	1	1	1	1	1	1	1	1	1	1	1	1
600	Additional fan assy, vertical 500-3-50 EBM	2987478	1	1	1	1	1	1	1	1	1	1	1	1	1	1	1	1	1	1	1	1	1	1	1	1	1	1	1
601	Motor for additional fan 60 W, 220/380-3-50/60 (if motor is 220-1-50, please order additionally 6 µF run capacitor)	2487456	1	1	1	1	1	1	1	1	1	1	1	1	1	1	1	1	1	1	1	1	1	1	1	1	1		
601/602	Additional fan assy, vertical 220-1-50/60 EBM, w/o mounting kit	2998245	1	1	1	1	1	1	1	1	1	1	1	1	1	1	1	1	1	1	1	1	1	1	1	1	1	1	1
601/602	Additional fan assy, vertical 220/380-3-50/60 EBM, w/o mounting kit	2998256	1	1	1	1	1	1	1	1	1	1	1	1	1	1	1	1	1	1	1	1	1	1	1	1	1	1	1
601/602	Additional fan assy, vertical 500-3-50 EBM, w/o mounting kit	2998267	1	1	1	1	1	1	1	1	1	1	1	1	1	1	1	1	1	1	1	1	1	1	1	1	1	1	1
	Run capacitor 6 µF for fan motor 50/55/60 W	2728686	1	1	1	1	1	1	1	1	1	1	1	1	1	1	1	1	1	1	1	1	1	1	1	1	1		
	Run capacitor 5 µF for additional fan 220-1-50/60 EBM	3097996	1	1	1	1	1	1	1	1	1	1	1	1	1	1	1	1	1	1	1	1	1	1	1	1	1	1	1
602	Fan blade for additional fan (3 blades) horizontal 60 W, ø 350 mm, 25°	2189592	1	1	1	1	1	1	1	1	1	1	1	1	1	1	1	1	1	1	1	1	1	1	1	1	1		
602	Fan blade for additional fan (4 blades) vertical 60 W, ø 305 mm,	2728131	1	1	1	1	1	1	1	1	1	1	1	1	1	1	1	1	1	1	1	1	1	1	1	1	1		
603	Fan guard for additional fan 60W horizontal; for a complete fan guard it is necessary to order additionally 604 cover 2052290	2052289	1	1	1	1	1	1	1	1	1	1	1	1	1	1	1	1	1	1	1	1	1	1	1	1	1		
603	Fan guard for additional fan 60W vertical; for a complete fan guard it is necessary to order additionally 2 x cover 2912909 and 4 x hex self-tapping screw 2939684, fan guard not available anymore	2485836	1	1	1	1	1	1	1	1	1	1	1	1	1	1	1	1	1	1	1	1	1	1	1	1	1		
604	Cover for fan guard for additional fan, horizontal 60 W, not available anymore	2052290	1	1	1	1	1	1	1	1	1	1	1	1	1	1	1	1	1	1	1	1	1	1	1	1	1		
604	Cover for fan guard for additional fan, vertical 60 W (1 piece)	2912909	2	2	2	2	2	2	2	2	2	2	2	2	2	2	2	2	2	2	2	2	2	2	2	2	2		
605	Hex self-tapping screw B 3, 9 x 16 Z 2 DIN 7976 for fan guard, additional fan vertical 60 W (1 piece)	2939684	4	4	4	4	4	4	4	4	4	4	4	4	4	4	4	4	4	4	4	4	4	4	4	4	4		
610	Mounting kit for additional fan horizontal EBM	2979973	1	1	1	1	1	1	1	1	1	1	1	1	1	1	1	1	1	1	1	1	1	1	1	1			
610	Mounting kit for additional fan vertical EBM	2987536	1	1	1	1	1	1	1	1	1	1	1	1	1	1	1	1	1	1	1	1	1	1	1	1	1	1	1
610	Mounting kit for additional fan vertical 60 W	2830390	1	1	1	1	1	1	1	1	1	1	1	1	1	1	1	1	1	1	1	1	1	1	1	1			
610	Mounting kit for additional fan vertical 60 W	3098864																									1	1	

Miscellaneous					
Item	Specification	Part Number	Item	Specification	Part Number
Adapter	1/8" - 27 NPTF	2059791	Waterhose	1/2"	2486102
Adapter	1/4" - 18 NPTF	2038650	Waterhose	1"	2487569
Angle adapter	1/4" - 18 NPTF	2038956	Worm drive hose clip for waterhose	1/2"	2486113
T-adapter	1/8" - 27 NPTF	2059780	Worm drive hose clip for waterhose	1"	2487570
T-adapter	1/4" - 18 NPTF	2059779	Oil separator	OS-16	2981265
T-adapter for oil pressure safety switch	1/4" - 18 NPTF	2039993	Oil separator	OS-22 F	3097941
Schrader valve	1/8" - 27 NPTF	2051117	Oil separator	OS-28 F	2946482
Schrader valve	1/4" - 18 NPTF	2830696	Socket wrench for Torx-screw (rod)	1/2" - Drive	2455275
Schrader valve - T	1/8" - 27 NPTF	2048797	Sight glass key DK, DL, DN (except DN..2)		2831213
Connection for Schrader valve		2502400	Key for sight glass retainer for oil balance DK, DL, DN (except DN..2)	DK, DL, DN (except DN..2)	2831462
Loctite (tube 50 cm3)	Loctite 572	2195148	Screw plug	1/8" - 27 NPTF	2043156
Refrigeration-oil (can 1 l)	SHELL 22-12	2190814	Screw plug	1/4" - 18 NPTF	2045685
Refrigeration-oil (can 4 l)	Suniso 3 GS	3103953	Screw plug	3/8" - 18 NPTF	2040997
Refrigeration-oil (can 3 l)	ALKYLAT 150 DT	2834234	Screw plug	1/2" - 14 NPTF	2856027
Refrigeration-oil (can 1 US quart, appr. 0,946 l)	Mobil EAL ARCTIC 22 CC	3808203	Screw plug for liquid receiver and WR/K-receiver	1/2" - 14 NPTF Ms	2976838
Refrigeration-oil (can 1 US gallone, appr. 3,8 l)	Mobil EAL ARCTIC 22 CC	3808190	Liquid receiver, special horizontal design	13 l for DK	2479699
Refrigeration-oil (can 1 l)	ICI EMKARATE RL 32 CF	3808112	Liquid receiver, special horizontal design	23 l for DL, DN, DM, D2	2479702
Refrigeration-oil (can 5 l)	ICI EMKARATE RL 32 CF	3808123	Liquid receiver, special horizontal design	D3, D9, D4, D6	2479713
Refrigeration-oil (canister 25 l)	ICI EMKARATE RL 32 CF	3808134	Hand-refractometer	998-RMET-00	8024575
Varnish, grey (can 1 kg)	RAL 7031	2641141	Module for S-protection (complete for conversion into MP 23)	Kriwan INT 300 internal 120 V	3806025
Varnish, grey, spray (carton, 6 cans)	RAL 7031	2836898	Module for S-protection (complete for conversion into MP 23)	Kriwan INT 300 internal 230 V	2941852
Capillary tube with gaskets, Cu-ring	2,4 x 0,45 1000 mm length	3808214			
Capillary tube with gaskets, Cu-ring	2,4 x 0,45 1500 mm length	3808225			
Cleaning brushes for WR/K-condensers		2039324			